

8'-0" MPDS OXO and XX Door Units Non-Impact Lab Drawings

Installation

- Windload Assembly Procedural Guide 050217 p.A-11 – Anchor Detail

Door System

- Windload Assembly Procedural Guide 050217 p.A-2 – Double Door
- Windload Assembly Procedural Guide 050217 p.A-4 – Single Door w/Sidelites
- P-FSJ-409-RNP-I-80 – Inswing FrameSaver RH Blank Jamb
- P-FSJ-409-LNP-I-80 – Inswing FrameSaver LH Blank Jamb
- P-FSJ-409-RNP-O-60 – Outswing FrameSaver RH Blank Jamb
- P-FSJ-409-LNP-O-80 – Outswing FrameSaver LH Blank Jamb
- P-FSJ-409-RHP-O-80 – Outswing FrameSaver RH Hinge Jamb
- P-FSJ-409-LHP-O-80 – Outswing FrameSaver LH Hinge Jamb
- FJMH-409-303030 – Fingerjointed Wood Header OXO
- FJHD-409-60 – Fingerjointed Wood Header XX
- C2031231 rev A p. 1-3 – Articulating Cap Inswing Threshold
- C2030805 rev B p. 1-3 – Z-Series Outswing Threshold
- P-FSM-409-RHP-I-80 – Inswing FrameSaver RH Hinge Mull Post
- P-FSM-409-RSP-I-80 – Inswing FrameSaver RH Strike Mull Post
- P-FSM-409-LHP-O-80 – Outswing FrameSaver LH Hinge Mull Post
- P-FSM-409-LSP-O-80 – Outswing FrameSaver LH Strike Mull Post

Opaque and Lip-Lite Glazed Door Panel

- C2030367 rev F – Top Rail
- RW09-00119 rev E – Composite Bottom Rail
- C2030386 rev G – Stiles
- C2030318 rev D – Lock Block
- A1020319 rev D p. 1-2 – Insulated Glass
- SBP-LF-0003 rev A p. 1-2 – Injection Molded Lite Frame

Flush Glazed Door Panel

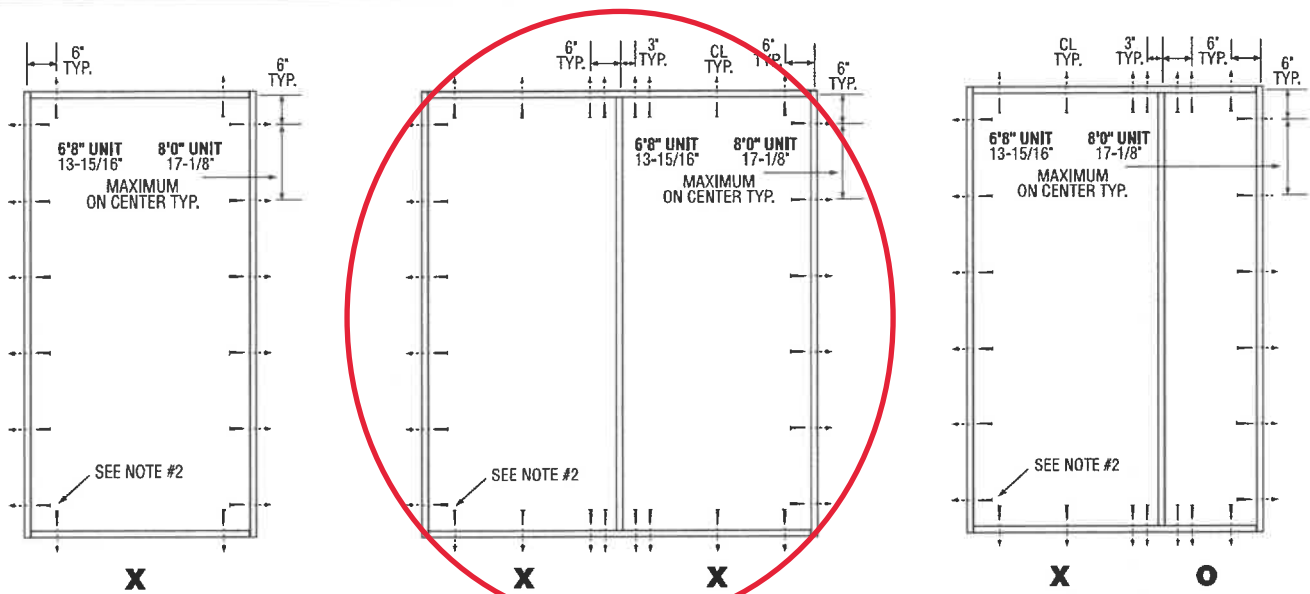
- A1020163 rev H p. 1-11 – Panel Assembly
- C2030367 rev F – Top Rail
- C2030330 rev F p. 2 of 3 – Composite Bottom Rail
- C2030387 rev M p. 1-2 – Stiles
- RW10-00008 rev M – Lock Block
- A1020319 rev D p. 1-2 – Insulated Glass

AMERICAN TEST LAB NORTH
DATE 11/30/23
REPORT NO. ATLNC 0503.01-23

Keith Owen

ATL INSPECTOR

STRUCTURAL PERFORMANCE ANCHOR DETAIL



Minimum Fastener Count

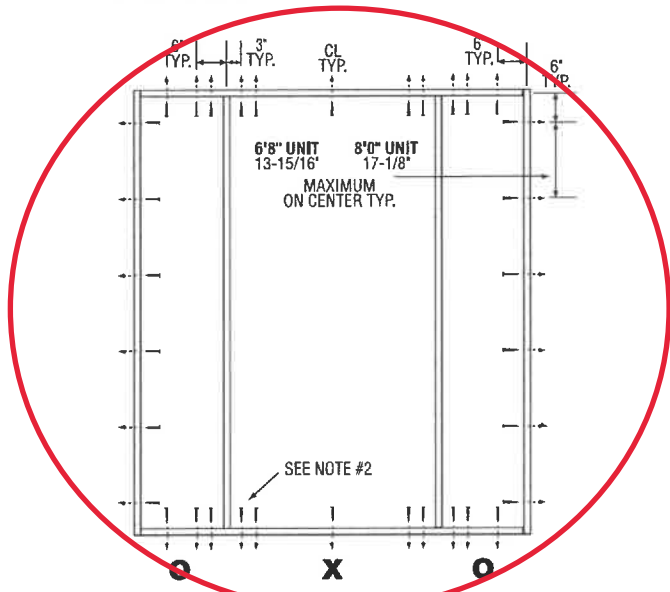
- 2 per horizontal framing member
 - 6 per vertical framing member
- See notes for additional detail

Minimum Fastener Count

- 8 per horizontal framing member
 - 6 per vertical framing member
- See notes for additional detail

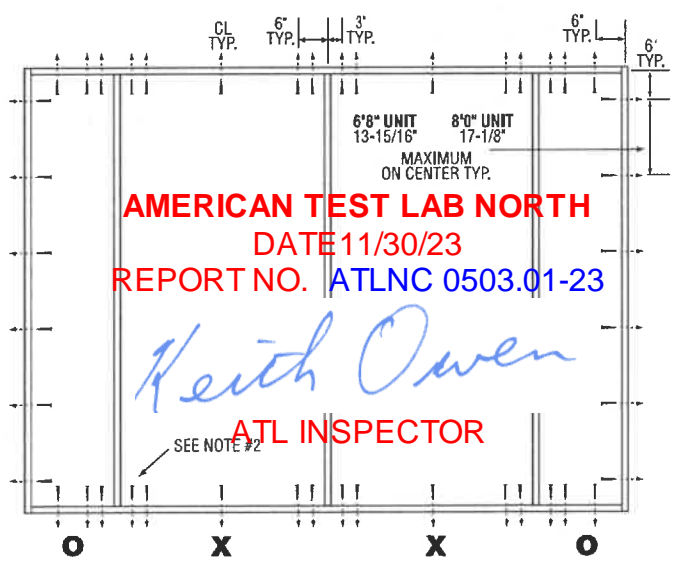
Minimum Fastener Count

- 7 per horizontal framing member
 - 6 per vertical framing member
- See notes for additional detail



Minimum Fastener Count

- 11 per horizontal framing member
 - 6 per vertical framing member
- See notes for additional detail



Minimum Fastener Count

- 16 per horizontal framing member
 - 6 per vertical framing member
- See notes for additional detail

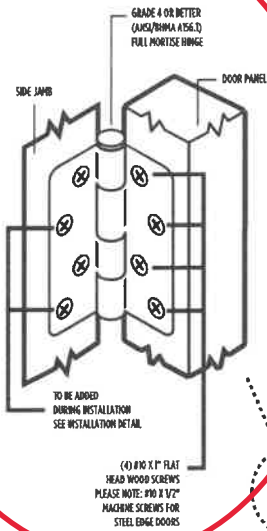
NOTES:

1. Cylindrical and deadbolt hardware required at 5-1/2" centerline for 6'8" and smaller and 10-1/2" centerline for door heights greater than 6'8". Evaluated with Kwikset Series 400 latch and Series 980 deadbolt.
2. Fasteners analyzed for this unit include #10 wood screws (1-1/2" embedment) or 3/16" Tapcons (1-1/4" embedment).
3. Two #10 x 2-1/2" screws required through each hinge on the vertical jamb or mullion.
4. Two #8 x 2" screws required through each strike plate.
5. Wood bucks by others, must be anchored properly to transfer loads to the structure.
6. Rough opening to accommodate no greater than 1/4" shim space.

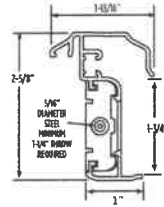
©2017 - Rev. 050217
 Our Continuing program of product improvement makes specifications, design and product detail subject to change without notice



TYPICAL HINGE ATTACHMENT

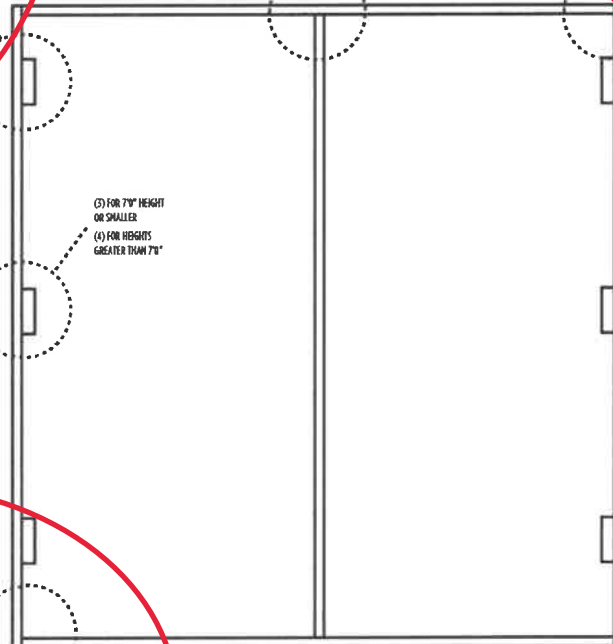
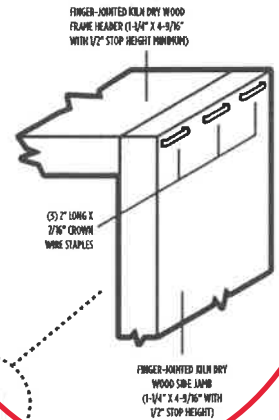


TYPICAL ASTRAGAL PROFILES

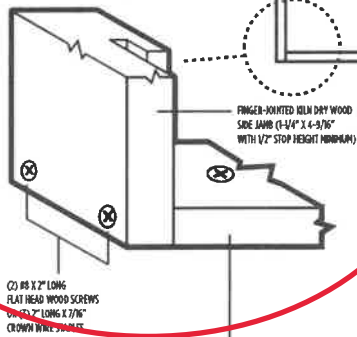


ALUMINUM EXTRUDED ASTRAGAL WITH ADDED REINFORCEMENT INSERTS AT TOP EXTENSION BOLT, BOTTOM EXTENSION BOLT AND CYLINDRICAL/DEADBOLT LATCHING LOCATIONS. ATTACH WITH #8 X 1" FLAT HEAD SCREWS

TYPICAL HEADER & SIDE JAMB ATTACHMENT



TYPICAL THRESHOLD & SIDE JAMB ATTACHMENT



TYPICAL THRESHOLD PROFILES

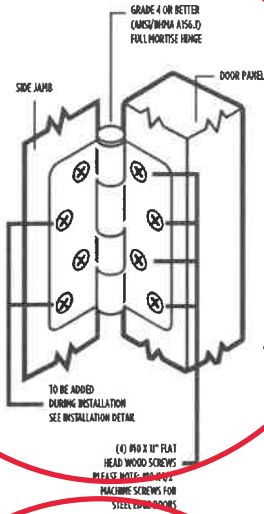


AMERICAN TEST LAB NORTH
DATE 11/30/23
REPORT NO. ATLNC 0503.01-23

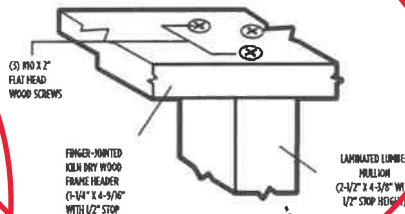
Keith Owen

ATL INSPECTOR

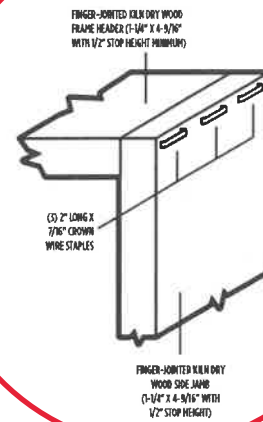
TYPICAL HINGE ATTACHMENT



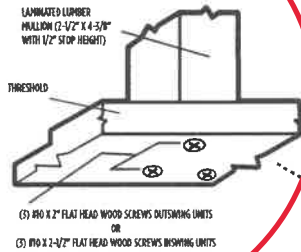
TYPICAL MULLION ATTACHMENT



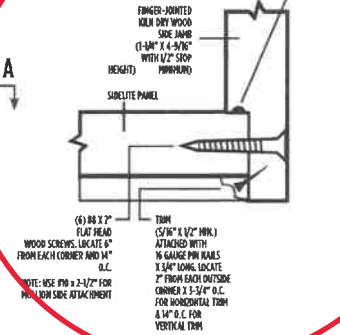
TYPICAL HEADER & SIDE JAMB ATTACHMENT



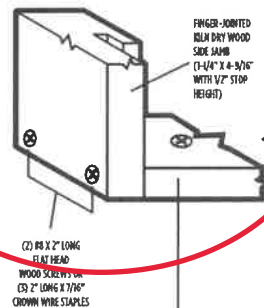
TYPICAL THRESHOLD & MULLION ATTACHMENT



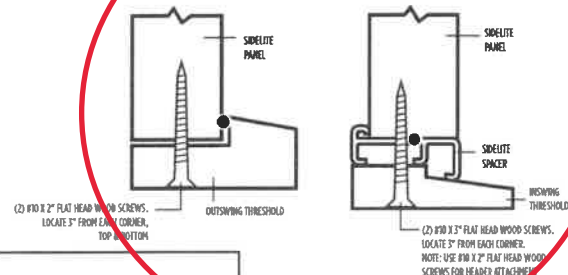
**SECTION A-A
TYPICAL SIDE JAMB & SIDELITE PANEL ATTACHMENT**



TYPICAL THRESHOLD & SIDE JAMB ATTACHMENT



**SECTION B-B
TYPICAL THRESHOLD & SIDELITE PANEL ATTACHMENT**



TYPICAL THRESHOLD PROFILES



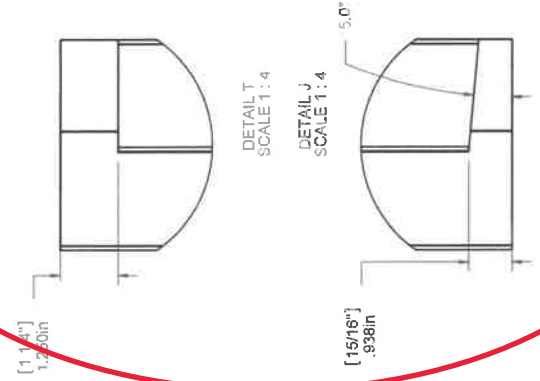
AMERICAN TEST LAB NORTH
DATE 11/30/23
REPORT NO. ATLNC 0503.01-23

©2017 - Rev. 050217
Our Continuing program of product improvement makes specifications, design and product detail subject to change without notice

Keith Owen

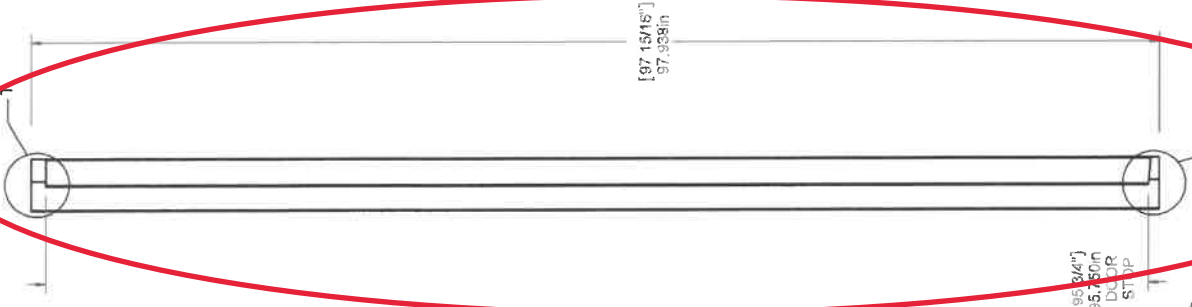
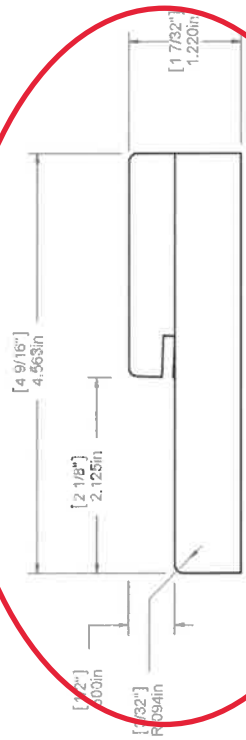
ATL INSPECTOR

AMERICAN TEST LAB NORTH
 DATE 11/30/23
 REPORT NO. ATLNC 0503.01-23
Keith Owen
 ATL INSPECTOR



NOTES:

- BACKCUT DETAIL NOT SHOWN (DIMENSION NOT CRITICAL)
- STANDARD F4/PINE
- 4 IN. FRAMESAVER
- STANDARD OFF-WHITE
- STANDARD SINGLE COAT
- INSERT BEIGE - PE 650
- TRIM WEATHERSTRIP
- FULL PACKAGE QTY : 128 / 256



Approved
03/31/23



6817 W. MARKET ST.
 COLFAX, NC 27235
 PHONE: (336) 668-2472
 FAX: (336) 668-4478
 WWW.ENDURAPRODUCTS.COM

JAMB LEG
 LEFT HAND BLANK



ENTERED BY **BJackson** DATE **03/31/2023**

SPEC NUMBER **JM206105**

CUSTOMER NAME **Masonite Intl-West Chicago** CUSTOMER ID **00013599** TITLE

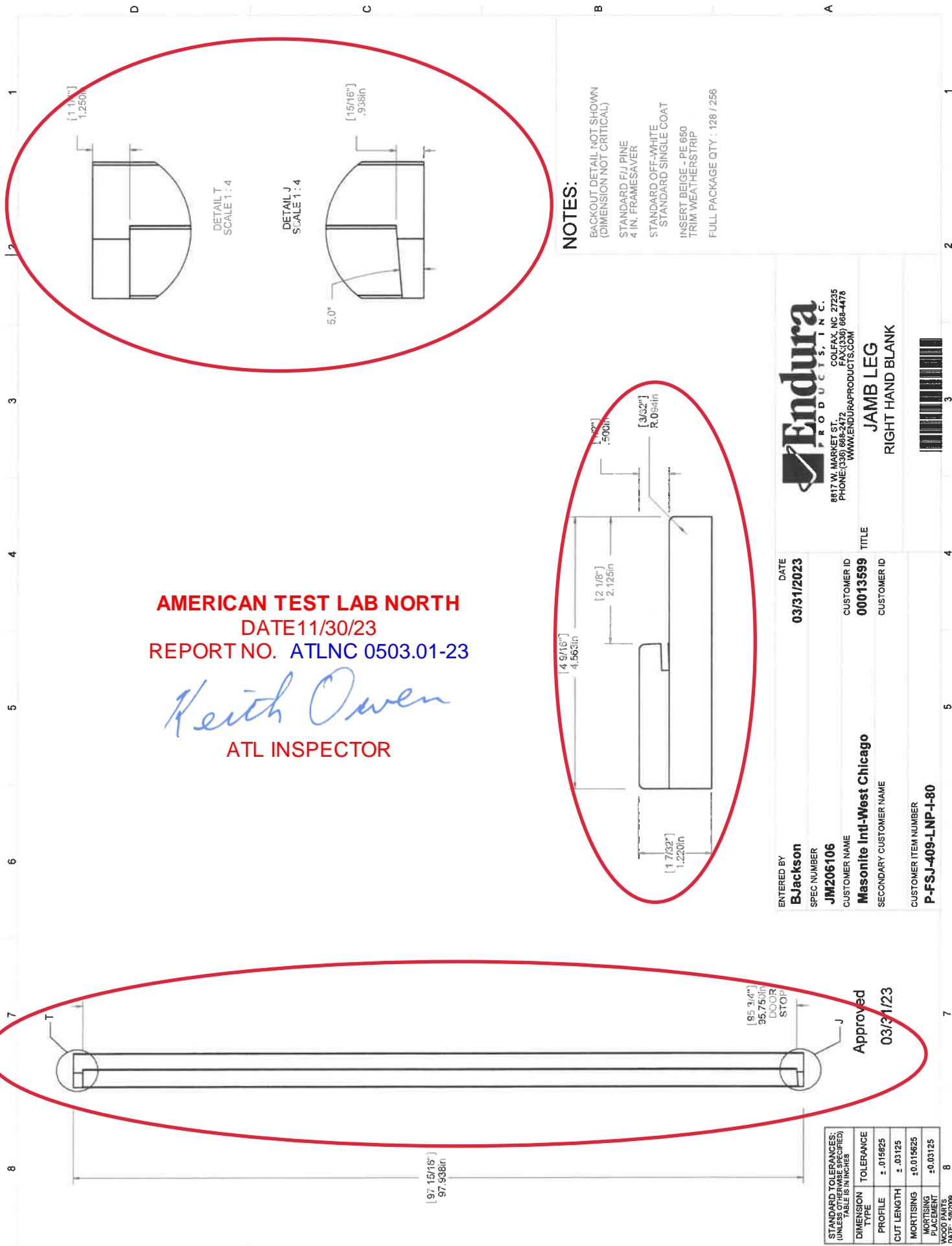
SECONDARY CUSTOMER NAME CUSTOMER ID

CUSTOMER ITEM NUMBER **P-FSJ-409-RNP-J-80**

STANDARD TOLERANCES: (UNLESS OTHERWISE SPECIFIED)	
DIMENSION TYPE	TOLERANCE
PROFILE	± .015625
CUT LENGTH	± .03125
MORTISING	± 0.015625
MORTISING PLACEMENT	± 0.03125

AMERICAN TEST LAB NORTH
 DATE 11/30/23
 REPORT NO. ATLNC 0503.01-23

Keith Owen
 ATL INSPECTOR



NOTES:

- BACKOUT DETAIL NOT SHOWN (DIMENSION NOT CRITICAL)
- STANDARD FJ PINE 4 IN. FRAMESAVER
- STANDARD OFF-WHITE STANDARD SINGLE COAT
- INSERT BEIGE - PE 660 TRIM WEATHERSTRIP
- FULL PACKAGE QTY : 128 / 256



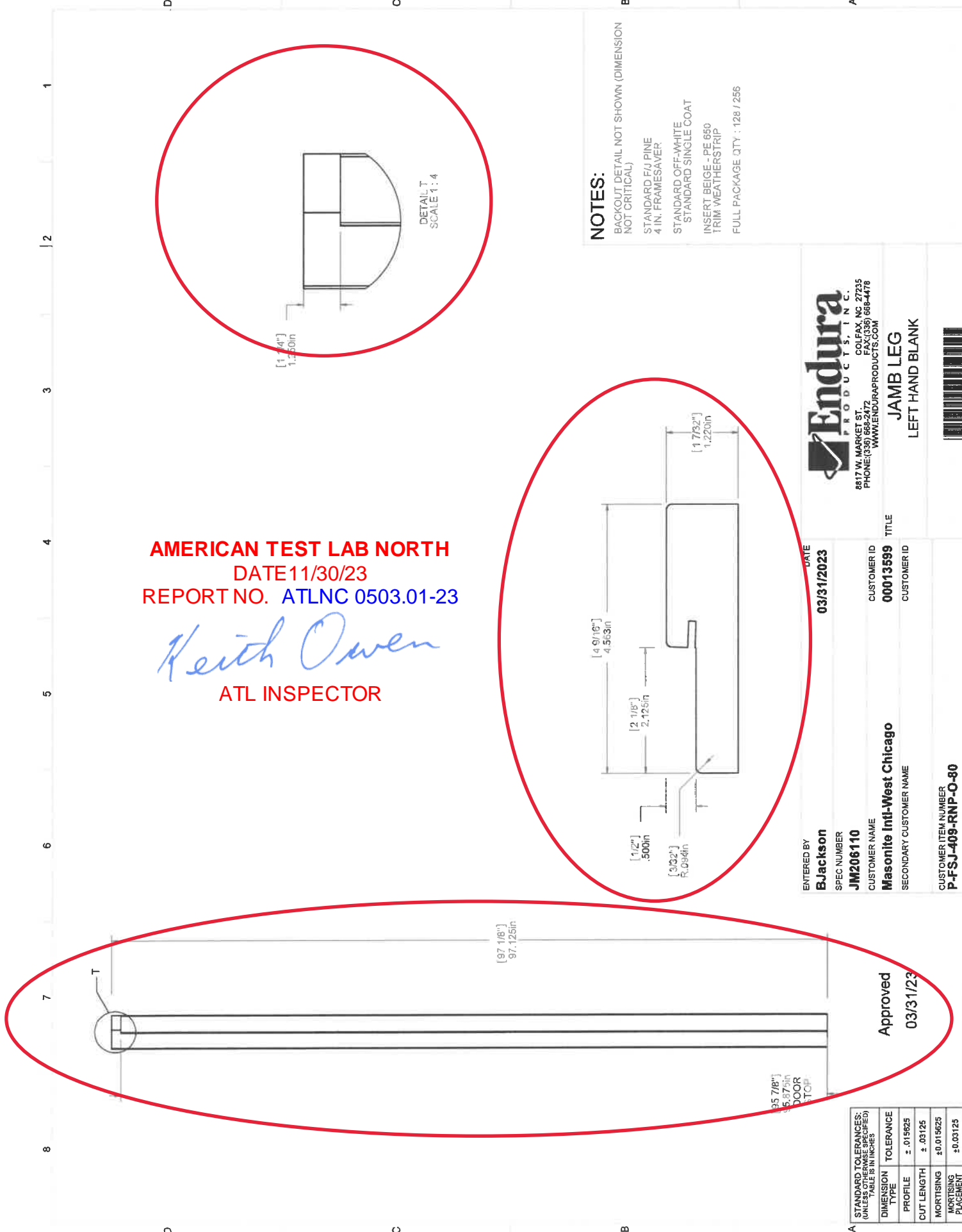
JAMB LEG
 RIGHT HAND BLANK



ENTERED BY	DATE
BJackson	03/31/2023
SPEC NUMBER	CUSTOMER ID
JM206106	00013599
CUSTOMER NAME	TITLE
Masonite Intl-West Chicago	
SECONDARY CUSTOMER NAME	CUSTOMER ID
CUSTOMER ITEM NUMBER	
P-FSJ-409-LNP-1-80	

STANDARD TOLERANCES: (UNLESS OTHERWISE SPECIFIED) TABLE IS IN INCHES	
DIMENSION TYPE	TOLERANCE
PROFILE	± .015625
CUT LENGTH	± .03125
MORTISING	± 0.015625
MORTISING PLACEMENT	± 0.03125

Approved
 03/31/23



AMERICAN TEST LAB NORTH
 DATE 11/30/23
 REPORT NO. ATLNC 0503.01-23

Keith Owen
 ATL INSPECTOR

NOTES:

- BACKOUT DETAIL NOT SHOWN (DIMENSION NOT CRITICAL)
- STANDARD F4J PINE
- 4 IN. FRAMESAVER
- STANDARD OFF-WHITE
- STANDARD SINGLE COAT
- INSERT BEIGE - PE 650
- TRIM WEATHERSTRIP
- FULL PACKAGE QTY : 128 / 256



8817 W. MARKET ST.
 COLFAX, NC 27235
 PHONE: (336) 688-4478
 WWW.ENDURAPRODUCTS.COM

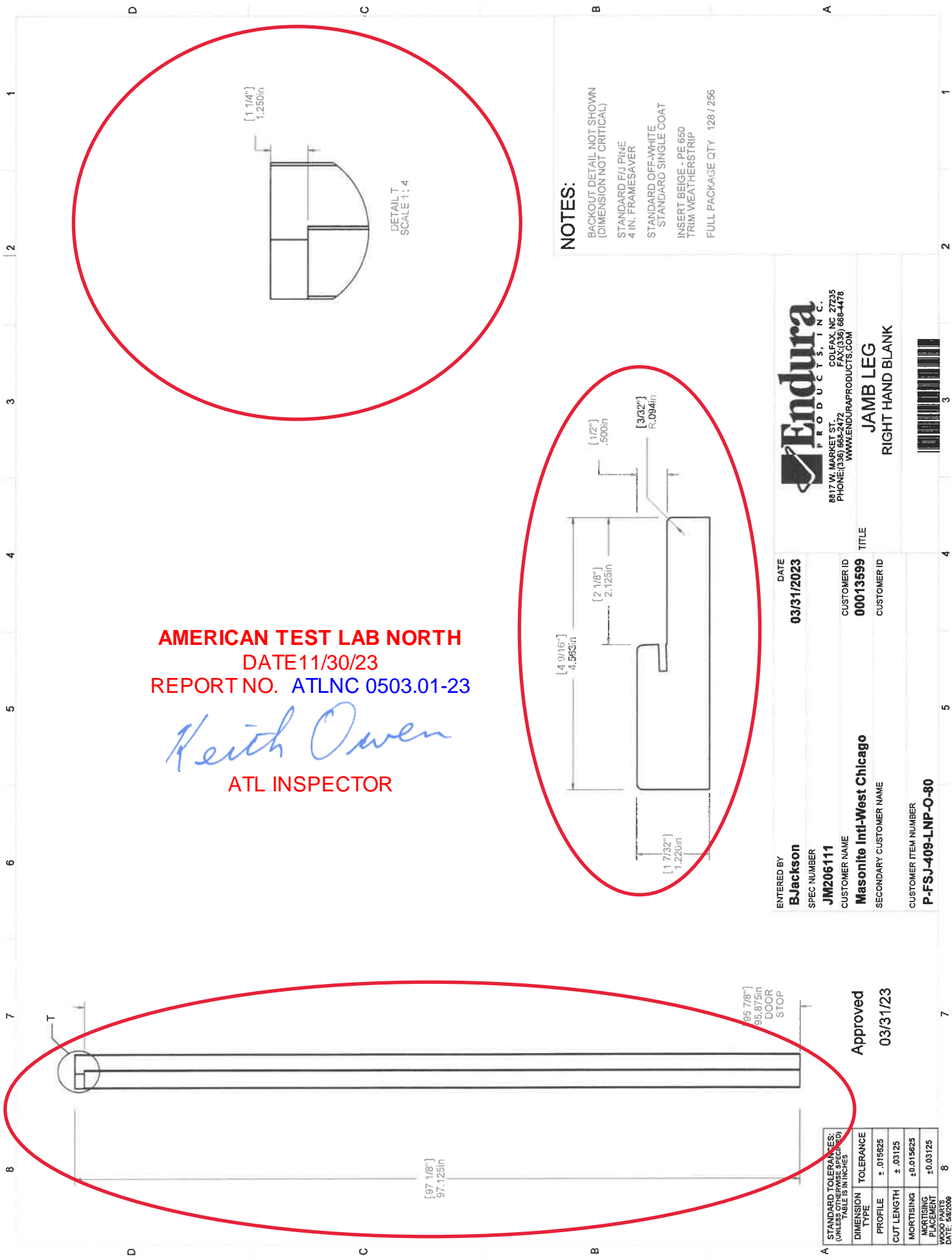
JAMB LEG
 LEFT HAND BLANK



ENTERED BY	BJackson	DATE	03/31/2023
SPEC NUMBER	JM206110	CUSTOMER ID	00013599
CUSTOMER NAME	Masonite Intl-West Chicago	TITLE	
SECONDARY CUSTOMER NAME		CUSTOMER ID	
CUSTOMER ITEM NUMBER	P-FSJ-409-RNP-O-80		

STANDARD TOLERANCES: (UNLESS OTHERWISE SPECIFIED)	
DIMENSION TYPE	TOLERANCE
PROFILE	$\pm .015625$
CUT LENGTH	$\pm .03125$
MORTISING	± 0.015625
MORTISING PLACEMENT	± 0.03125
WORK DATE	5/8/2026

Approved
 03/31/23



AMERICAN TEST LAB NORTH
 DATE 11/30/23
 REPORT NO. ATLNC 0503.01-23

Keith Owen
 ATL INSPECTOR

NOTES:

- BACKOUT DETAIL NOT SHOWN (DIMENSION NOT CRITICAL)
- STANDARD F/I PINE 4 IN. FRAMESAVER
- STANDARD OFF-WHITE STANDARD SINGLE COAT
- INSERT BEIGE - PE 650 TRIM WEATHERSTRIP
- FULL PACKAGE QTY 128 / 256



8617 W. MARKET ST.
 COLFAX, NC 27235
 PHONE: (336) 568-2712
 FAX: (336) 568-4478
 WWW.ENDURAPRODUCTS.COM

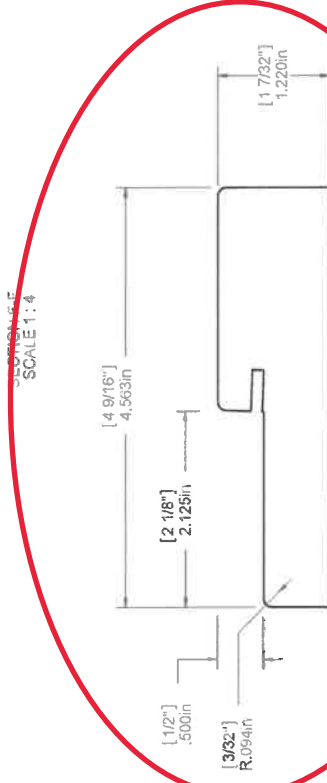
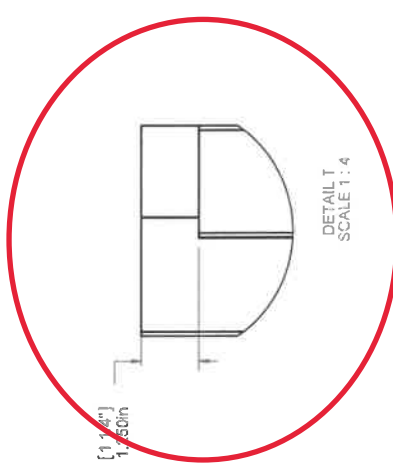
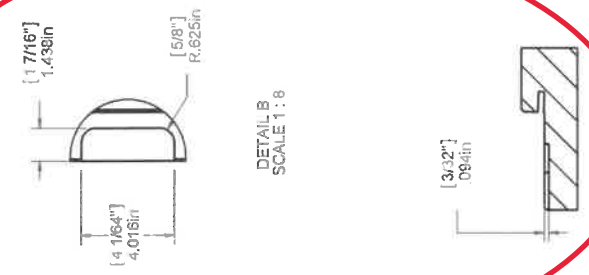
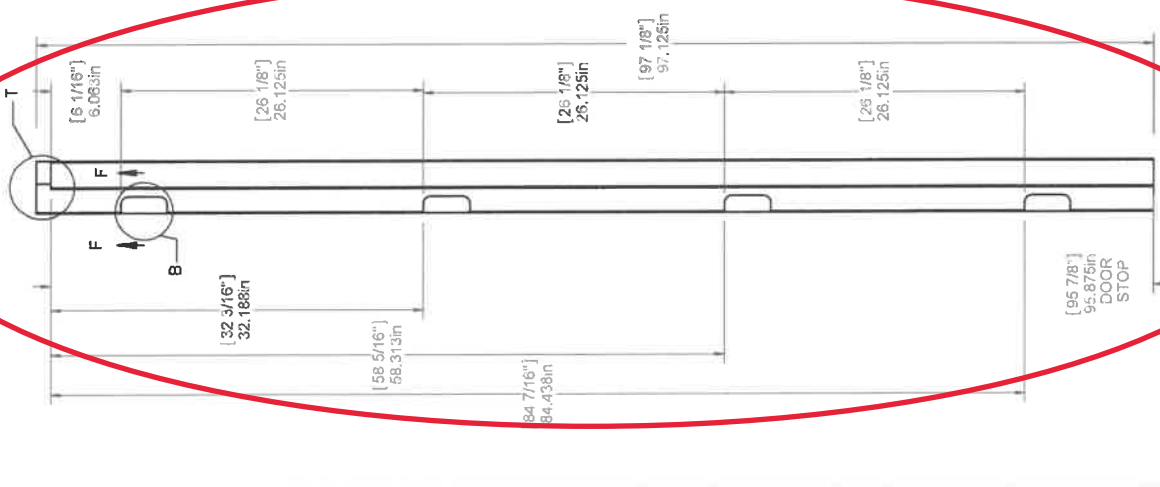
JAMB LEG
 RIGHT HAND BLANK



ENTERED BY	DATE
BJackson	03/31/2023
SPEC NUMBER	CUSTOMER ID
JM206111	00013599
CUSTOMER NAME	TITLE
Masonite Intl-West Chicago	
SECONDARY CUSTOMER NAME	CUSTOMER ID
CUSTOMER ITEM NUMBER	
P-FSJ-409-LNP-O-80	

STANDARD TOLERANCES: (UNLESS OTHERWISE SPECIFIED)	TOLERANCE
DIMENSION TYPE	
PROFILE	± .015625
CUT LENGTH	± .03125
MORTISING	± 0.015625
MORTISING DEPTH	± 0.03125
WOOD PARTS	
DATE: 6/6/2006	

Approved
 03/31/23



NOTES:
 BACKOUT DETAIL NOT SHOWN (DIMENSION NOT CRITICAL)
 STANDARD FU/PINE 4 IN. FRAMESAVER
 STANDARD OFF-WHITE STANDARD SINGLE COAT
 HINGE BACKSET PIN - 0.9375
 HINGE 1 TO 2 CENTER PIN - 5.875
 HINGE 2 TO 3 CENTER PIN - 5.875
 HINGE 3 TO 4 CENTER PIN - 5.875
 INSERT BEIGE - PE 650 TRIM WEATHERSTRIP
 FULL PACKAGE QTY 128 / 256

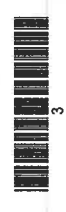
STANDARD TOLERANCES: (UNLESS OTHERWISE SPECIFIED) TABLE IS IN INCHES	
DIMENSION TYPE	TOLERANCE
PROFILE	± .015625
CUT LENGTH	± .03125
MORTISING	±0.015625
MORTISING PLACEMENT	±0.03125

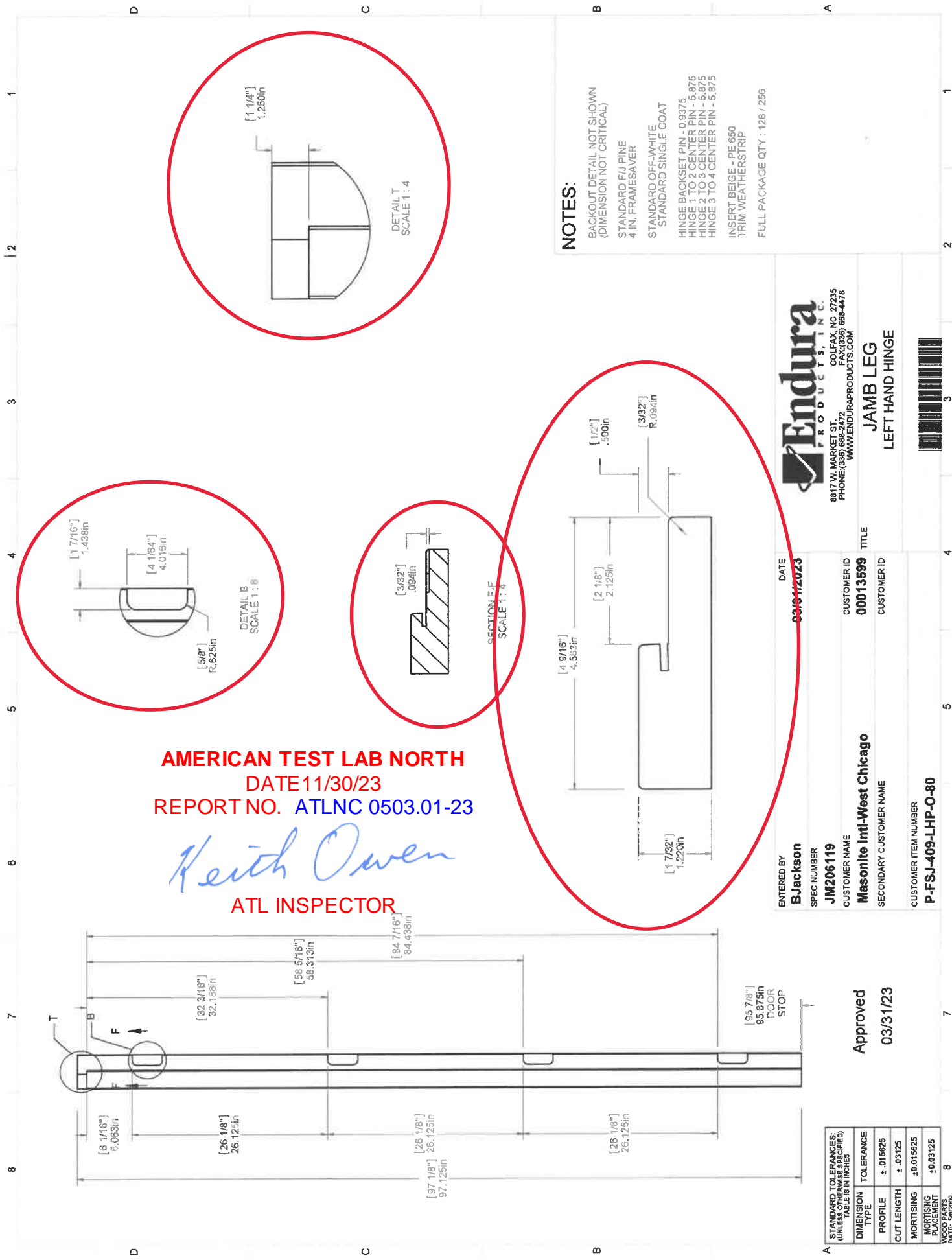
Approved
 03/31/23



ENTERED BY **BJackson** DATE **03/31/2023**
 SPEC NUMBER **JM206120** CUSTOMER ID **00013599**
 CUSTOMER NAME **Masonite Intl-West Chicago** TITLE
 SECONDARY CUSTOMER NAME CUSTOMER ID
 CUSTOMER ITEM NUMBER **P-FSJ-409-RHP-O-80**

JAMB LEG
RIGHT HAND HINGE





AMERICAN TEST LAB NORTH
 DATE 11/30/23
 REPORT NO. ATLNC 0503.01-23

Keith Owen
ATL INSPECTOR

NOTES:
 BACKOUT DETAIL NOT SHOWN
 (DIMENSION NOT CRITICAL)
 STANDARD: J/P PINE
 4 IN. FRAMESAVER
 STANDARD OFF-WHITE
 STANDARD SINGLE COAT
 HINGE BACKSET PIN - 0.9375
 HINGE 1 TO 2 CENTER PIN - 5.875
 HINGE 2 TO 3 CENTER PIN - 5.875
 HINGE 3 TO 4 CENTER PIN - 5.875
 INSERT BEIGE - PE 650
 TRIM WEATHERSTRIP
 FULL PACKAGE QTY : 128 / 256

Endura
 PRODUCTS, INC.
 8817 W. MARKET ST.
 COLFAX, NC 27235
 PHONE: (336) 668-2472
 FAX: (336) 668-4478
 WWW.ENDURAPRODUCTS.COM

JAMB LEG
 LEFT HAND HINGE

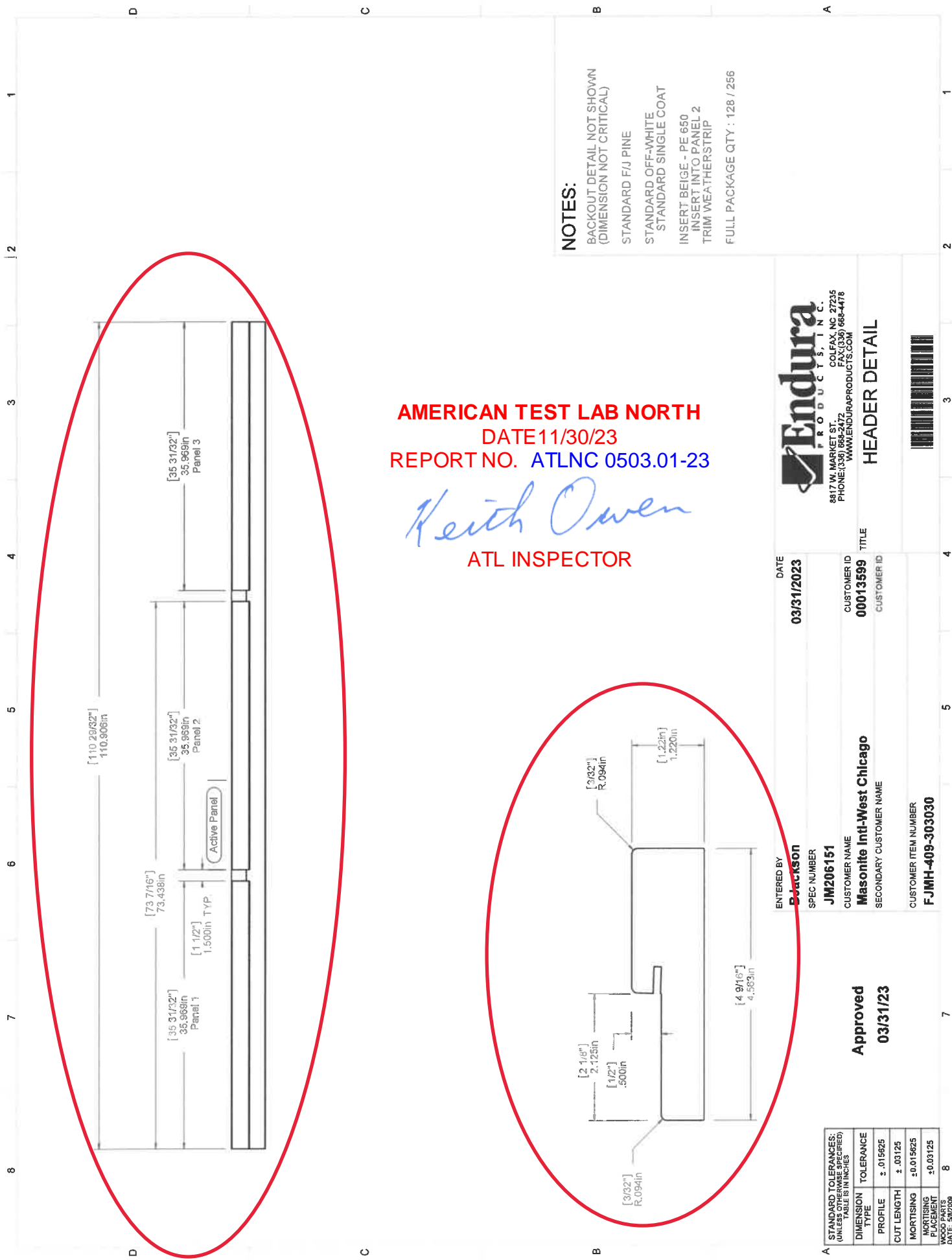
ENTERED BY	DATE
BJackson	03/31/2023
SPEC NUMBER	CUSTOMER ID
JM206119	00013599
CUSTOMER NAME	CUSTOMER ID
Masonite Intl-West Chicago	
SECONDARY CUSTOMER NAME	TITLE
	LEFT HAND HINGE
CUSTOMER ITEM NUMBER	
P-FSJ-409-LHP-O-80	

STANDARD TOLERANCES:
 (UNLESS OTHERWISE SPECIFIED)
 TABLE IS IN INCHES

DIMENSION TYPE	TOLERANCE
PROFILE	± .015625
CUT LENGTH	± .03125
MORTISING	± 0.015625
MORTISING PLACEMENT	± 0.03125

DATE: 5/6/2008

Approved
 03/31/23



NOTES:
 BACKOUT DETAIL NOT SHOWN
 (DIMENSION NOT CRITICAL)
 STANDARD F/J PINE
 STANDARD OFF-WHITE
 STANDARD SINGLE COAT
 INSERT BEIGE - PE 660
 INSERT INTO PANEL 2
 TRIM WEATHERSTRIP
 FULL PACKAGE QTY : 128 / 256

AMERICAN TEST LAB NORTH
 DATE 11/30/23
 REPORT NO. ATLNC 0503.01-23

Keith Owen
 ATL INSPECTOR



6817 W. MARKET ST.
 COLFAX, NC 27235
 PHONE: (336) 668-2472
 FAX: (336) 668-4478
 WWW.ENDURAPRODUCTS.COM

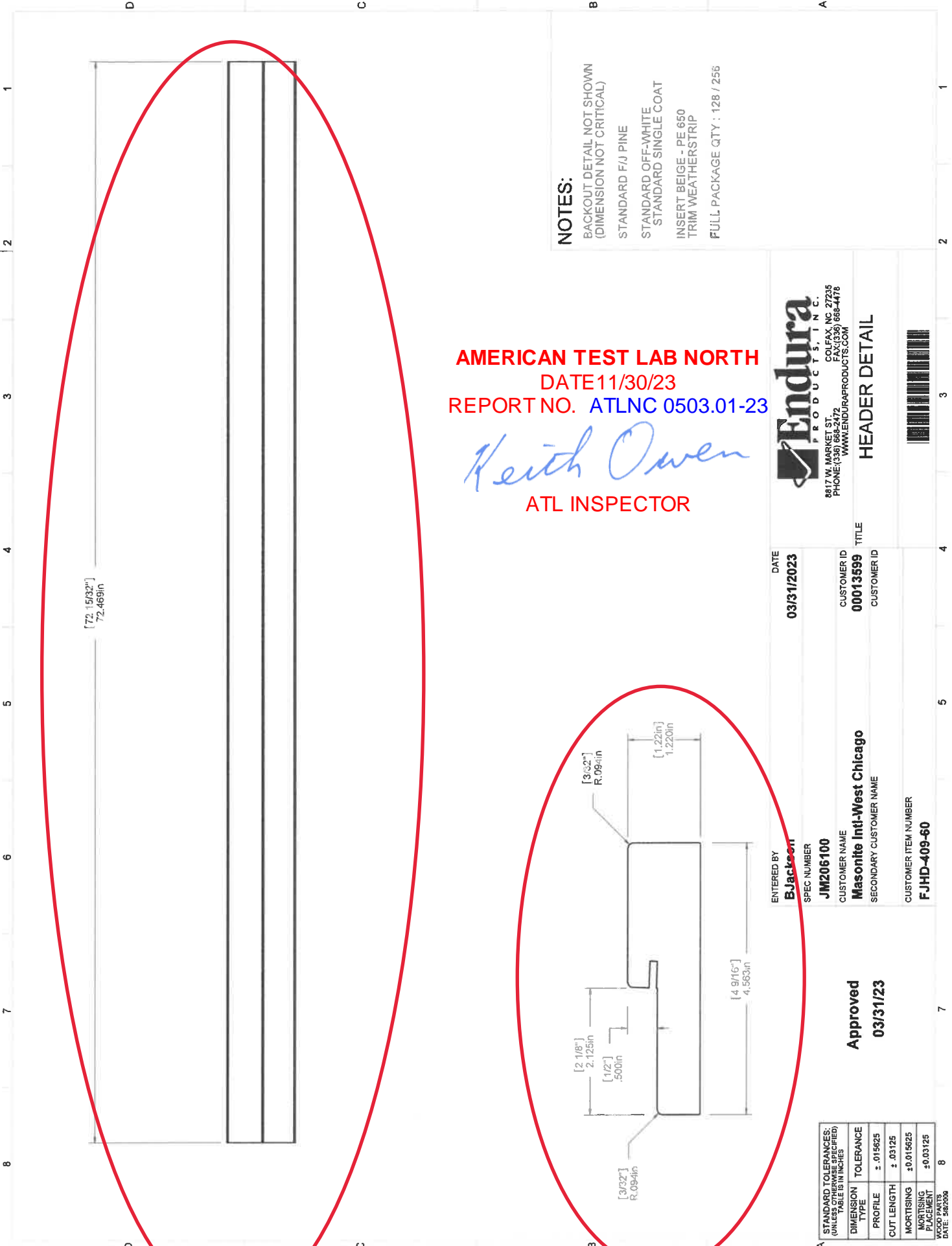
HEADER DETAIL



ENTERED BY	DATE	TITLE
S Jackson	03/31/2023	00013599
SPEC NUMBER	CUSTOMER ID	CUSTOMER ID
JM206151	00013599	00013599
CUSTOMER NAME	SECONDARY CUSTOMER NAME	
Masonite Intl-West Chicago		
CUSTOMER ITEM NUMBER	CUSTOMER ITEM NUMBER	
FJMH-409-303030		

STANDARD TOLERANCES: (UNLESS OTHERWISE SPECIFIED) DIMENSIONS IN INCHES	
DIMENSION TYPE	TOLERANCE
PROFILE	± .015625
CUT LENGTH	± .03125
MORTISING	± 0.015625
MORTISING PLACEMENT	± 0.03125
DATE: 5/6/2020	

Approved
 03/31/23



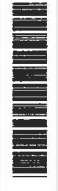
NOTES:
 BACKOUT DETAIL NOT SHOWN
 (DIMENSION NOT CRITICAL)
 STANDARD F/J PINE
 STANDARD OFF-WHITE
 STANDARD SINGLE COAT
 INSERT BEIGE - PE 650
 TRIM WEATHERSTRIP
 FULL PACKAGE QTY : 128 / 256

AMERICAN TEST LAB NORTH
 DATE 11/30/23
 REPORT NO. ATLNC 0503.01-23

Keith Owen
 ATL INSPECTOR



HEADER DETAIL



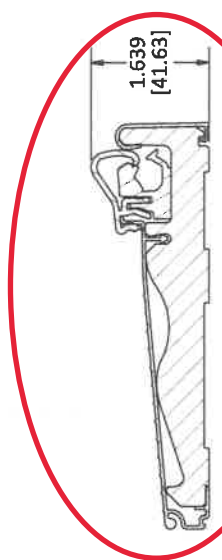
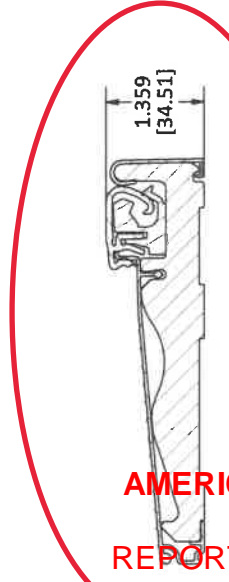
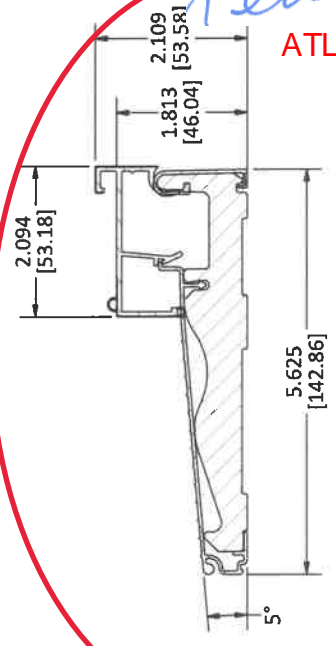
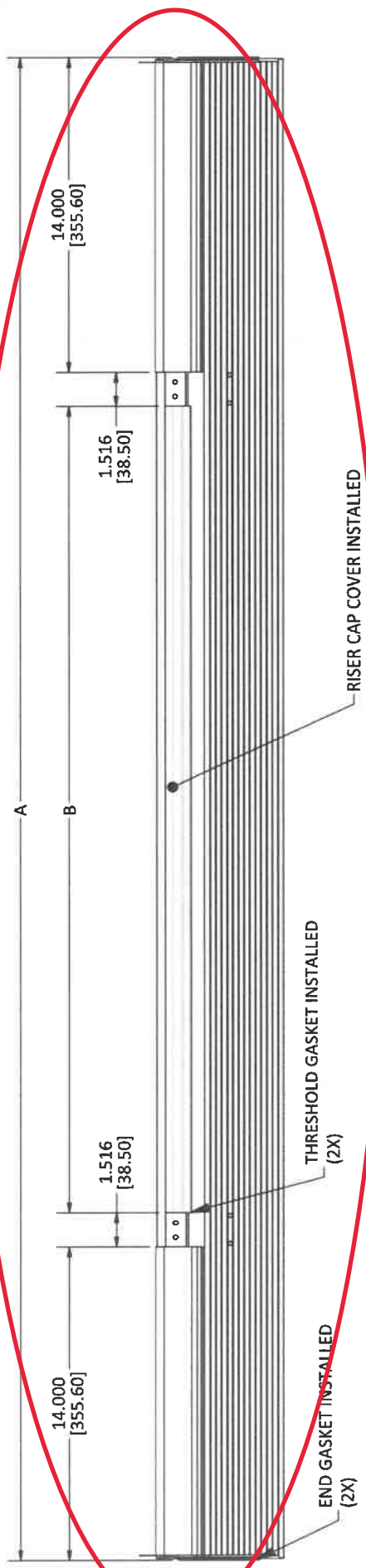
ENTERED BY BJackson	DATE 03/31/2023	CUSTOMER ID 00013599	TITLE HEADER DETAIL
SPEC NUMBER JM206100	CUSTOMER NAME Masonite Intl-West Chicago	CUSTOMER ID 00013599	CUSTOMER ID
SECONDARY CUSTOMER NAME	CUSTOMER ITEM NUMBER FJHD-409-60		

Approved
03/31/23

STANDARD TOLERANCES: (UNLESS OTHERWISE SPECIFIED) TABLE IS IN INCHES	
DIMENSION TYPE	TOLERANCE
PROFILE	± .015625
CUT LENGTH	± .03125
MORTISING	± 0.015625
MORTISING PLACEMENT	± 0.03125
DATE: 3/31/2023	8

Released

REVISION HISTORY			
REV	DESCRIPTION	PCR	DATE
A	RELEASED	653/813	08/05/2021
		ET	SM



AMERICAN TEST LAB NORTH
 DATE 11/30/23
 REPORT NO. ATLNC 0503.0123

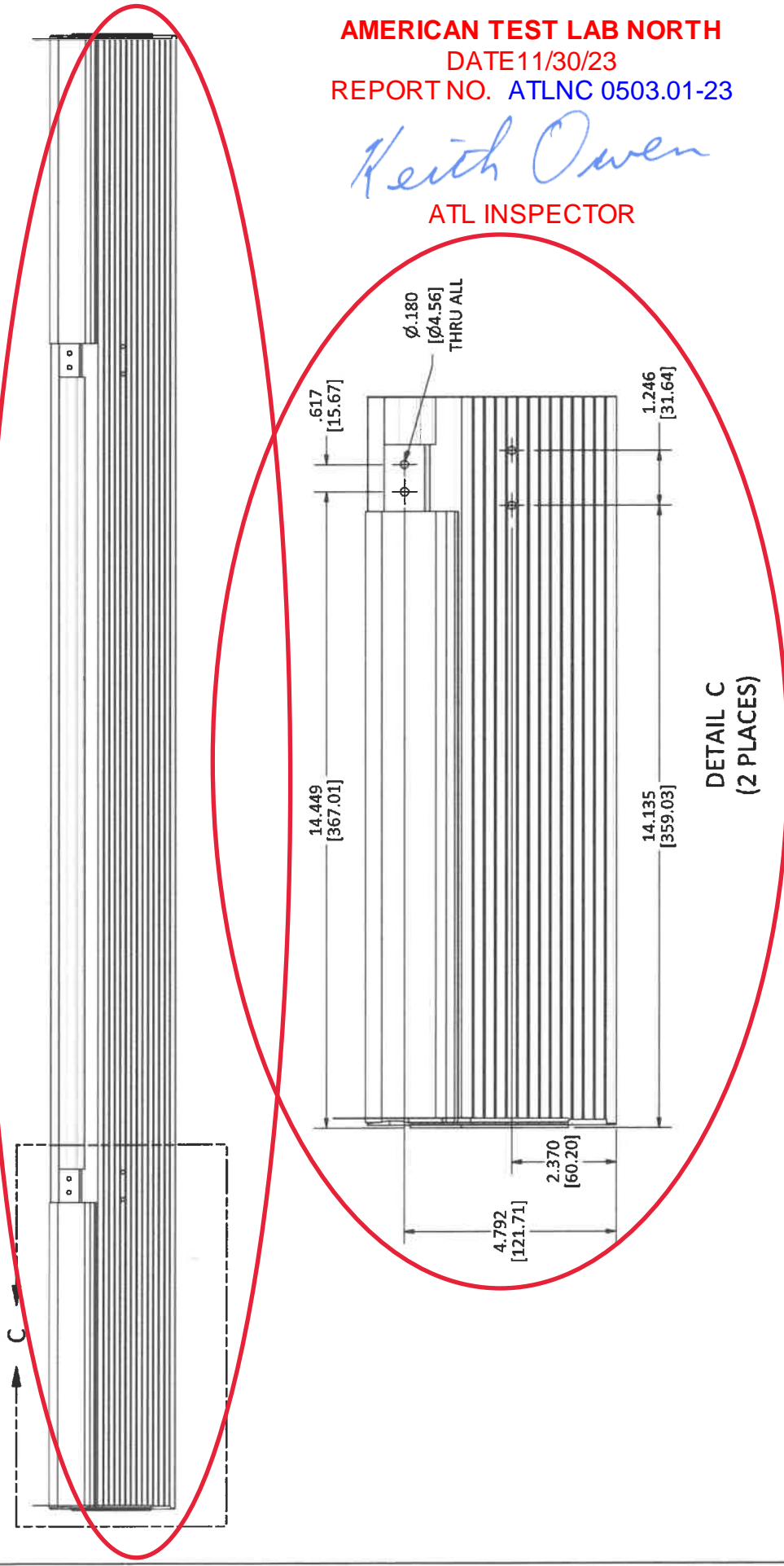
Keith Owen
 ATL INSPECTOR

TITLE 5-5/8" CONTINUOUS ARTICULATING SILL WITH SUBSTRATE		ORIGINAL PCR REVISION A
TOLERANCES UNLESS OTHERWISE NOTED ARE: FRACTION ± 1/32" DECIMAL ± .031" ANGLE ± 1°		SCALE 653/813
DRAWING DESIGN AND OTHER DISCLOSURES ARE THE PROPERTY OF MASONITE DOOR CORPORATION. UNAUTHORIZED USE, MANUFACTURE OR REPRODUCTION (IN WHOLE OR IN PART) IS PROHIBITED.		SHEET 1 OF 3
MASONITE		DATE 2/10/2021
ST. RECEIVED VERSION		DRAWING C2031231

- NOTE:
1. SILL TO HAVE LINEAL SUBSTRATE FOR ABILITY TO CUT DOWN
 2. DIMENSIONS IN BRACKETS [XX] INDICATE METRIC mm DIMENSIH
 3. SYMBOL Ⓞ INDICATES CRITICAL DIMENSION

CONFIDENTIAL PROPERTY OF MASONITE PRINTED DRAWING MAY

Released



AMERICAN TEST LAB NORTH
 DATE 11/30/23
 REPORT NO. ATLNC 0503.01-23

Keith Owen
 ATL INSPECTOR

ORIGINAL PCB REVISION		A	
653/813	SHEET	2 OF 3	DRAWN BY
SCALE	NTS	DATE	EVT
		2/10/2021	
TOLERANCES UNLESS OTHERWISE NOTED ARE:		FRACTION $\pm 1/32"$ DECIMAL $\pm .031"$ ANGLE $\pm 1'$	
DRAWING			
DRAWING		C2031231	
TITLE 5-5/8" CONTINUOUS ARTICULATING SILL WITH SUBSTRATE MASONITE <small>DRAWING DESIGN AND OTHER DISCLOSURES ARE THE PROPERTY OF MASONITE DOOR CORPORATION. UNAUTHORIZED USE, MANUFACTURE OR REPRODUCTION (IN WHOLE OR IN PART) IS PROHIBITED.</small>			

NOTE:
 1. DIMENSIONS IN BRACKETS [XX] INDICATE METRIC mm DIMENSIONS.
 2. SYMBOL ϕ INDICATES CRITICAL DIMENSION.

CONFIDENTIAL PROPERTY OF MASONITE PRINTED DRAWING MAY NOT BE MOST RECENT VERSION


AMERICAN TEST LAB NORTH
 DATE 11/30/23
 REPORT NO. ATLNC 0503.01-23

Keith Owen

ATL INSPECTOR

Part Number	Description	A	B
232273019.00	1/2-2/8-1/2 X 5-5/8 I/S BLACK CAP ARTICULATING SILL MILL FINISH W/SUB	63.000 [1600.20]	31.969 [812.01]
232273020.00	1/2-3/0-1/2 X 5-5/8 I/S BLACK CAP ARTICULATING SILL MILL FINISH W/SUB	67.000 [1701.80]	35.969 [913.61]
232283019.00	1/2-2/8-1/2 X 5-5/8 I/S BLACK CAP ARTICULATING SILL BRONZE FINISH W/SUB	63.000 [1600.20]	31.969 [812.01]
232283020.00	1/2-3/0-1/2 X 5-5/8 I/S BLACK CAP ARTICULATING SILL BRONZE FINISH W/SUB	67.000 [1701.80]	35.969 [913.61]

NOTE:
 1. DIMENSIONS IN BRACKETS [XX] INDICATE METRIC mm DIMENSIONS.
 2. SYMBOL Ⓢ INDICATES CRITICAL DIMENSION.

TITLE 5-5/8" CONTINUOUS ARTICULATING SILL WITH SUBSTRATE		ORIGINAL PER REVISION	A	
 MASONITE TOLERANCES UNLESS OTHERWISE NOTED ARE: FRACTION ± 1/32" DECIMAL ± .031" ANGLE ± 1° DRAWING DESIGN AND OTHER DISCLOSURES ARE THE PROPERTY OF MASONITE DOOR CORPORATION. UNAUTHORIZED USE, MANUFACTURE OR REPRODUCTION (IN WHOLE OR IN PART) IS PROHIBITED.	SCALE	SHEET	DRAWN BY	
		NTS	3 OF 3	EVT
		SHEET SIZE	DATE	
		B	2/10/2021	
		DRAWING		
		C2031231		

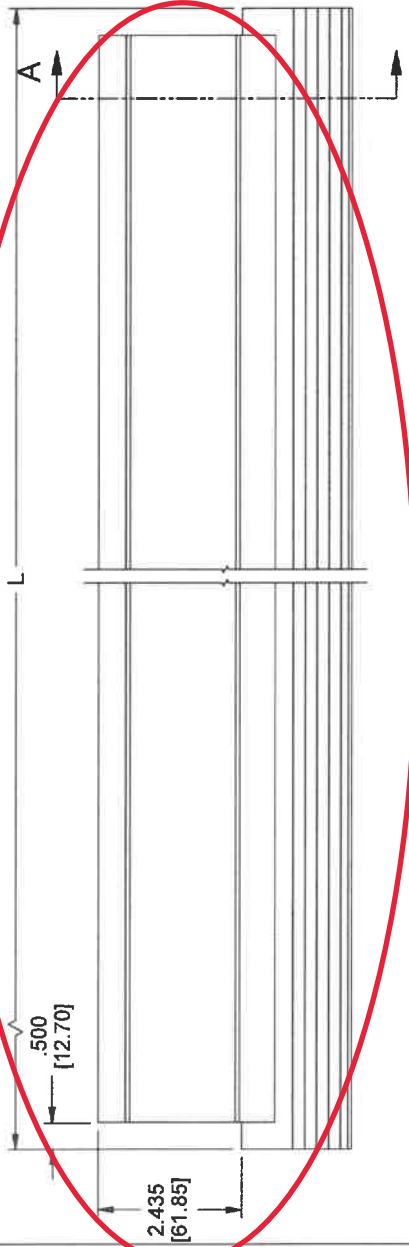
CONFIDENTIAL PROPERTY OF MASONITE PRINTED DRAWING MAY NOT BE MOST RECENT VERSION

Released

Released

REVISION HISTORY			
REV	DESCRIPTION	PCR	DRW BY
A	OVERALL WIDTH DIM REVISED, SILL NAME CHANGED TO Z-SERIES	9769	EVT
B		591	EVT

DATE	CHK BY
03/09/18	BK
11/08/19	BK



AMERICAN TEST LAB NORTH
DATE 11/30/23
REPORT NO. ATLNC 0503.01-23

Keith Owen

ATL INSPECTOR

PART #	SIZE	DIM. L	ALUMINIUM	DESCRIPTION
23161526.000	2/6	30.000 [762.00]	MILL	2/6 X 4-9/16 Z SILL
23162526.000	2/6	30.000 [762.00]	BRONZ	2/6 X 4-9/16 Z SILL
23163526.000	2/6	30.000 [762.00]	MILL & BLACK	2/6 X 4-9/16 Z SILL
23164526.000	2/6	30.000 [762.00]	BRONZE & BLACK	2/6 X 4-9/16 Z SILL
23161528.000	2/8	32.000 [812.80]	MILL & WOODGRAIN	2/8 X 4-9/16 Z SILL
23162528.000	2/8	32.000 [812.80]	BRONZE & WOODGRAIN	2/8 X 4-9/16 Z SILL
23163528.000	2/8	32.000 [812.80]	MILL & BLACK	2/8 X 4-9/16 Z SILL
23164528.000	2/8	32.000 [812.80]	BRONZE BLACK	2/8 X 4-9/16 Z SILL
23161530.000	3/0	36.000 [914.40]	MILL & WOODGRAIN	3/0 X 4-9/16 Z SILL
23162530.000	3/0	36.000 [914.40]	BRONZE & WOODGRAIN	3/0 X 4-9/16 Z SILL
23163530.000	3/0	36.000 [914.40]	MILL & BLACK	3/0 X 4-9/16 Z SILL
23164530.000	3/0	36.000 [914.40]	BRONZE BLACK	3/0 X 4-9/16 Z SILL
23161572.000	6/0	71.500 [1841.50]	MILL & WOODGRAIN	6/0 X 4-9/16 Z SILL
23162572.000	6/0	71.500 [1841.50]	BRONZE & WOODGRAIN	6/0 X 4-9/16 Z SILL
23163572.000	6/0	71.500 [1841.50]	MILL & BLACK	6/0 X 4-9/16 Z SILL
23164572.000	6/0	71.500 [1841.50]	BRONZE BLACK	6/0 X 4-9/16 Z SILL

NOTE:

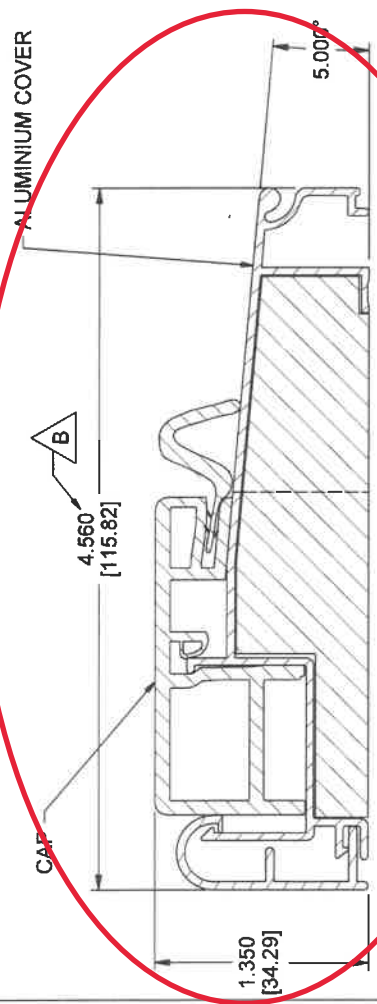
- SUBSTRATE TO BE CONTINUOUS AND FASTENED IN PLACE. CAVITY SUBSTRATE WITH SOLID BLOCKS (MIN 3") ON ENDS IS ACCEPTABLE ON SILLS 36" AND SMALLER.
- BRONZE WEATHER-STRIP AND MATCHING SIDELITE PANELS SPACERS TO BE INSTALLED WHERE APPLICABLE.
- SYMBOL (C) INDICATES CRITICAL DIMENSION
- DIMENSIONS IN BRACKETS [XX] INDICATE METRIC DIMENSIONS

TITLE: Z-SERIES OUTSWING BUMPER SILL

ORIGINAL PCN NO.: 9769	REV: B
SCALE: NTS	DRAWN: 01/23/18
SHEET SIZE: B	DRAWN BY: EVT
SHEET: 1 OF 3	
DRAWING NO.: C2030805	



CONFIDENTIAL
PROPERTY OF MASONITE



SECTION A-A

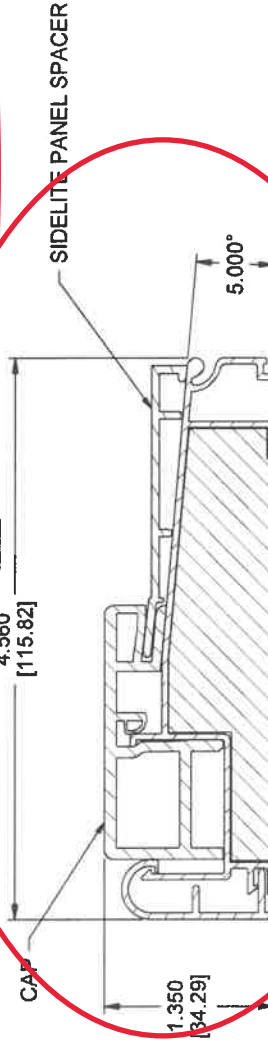
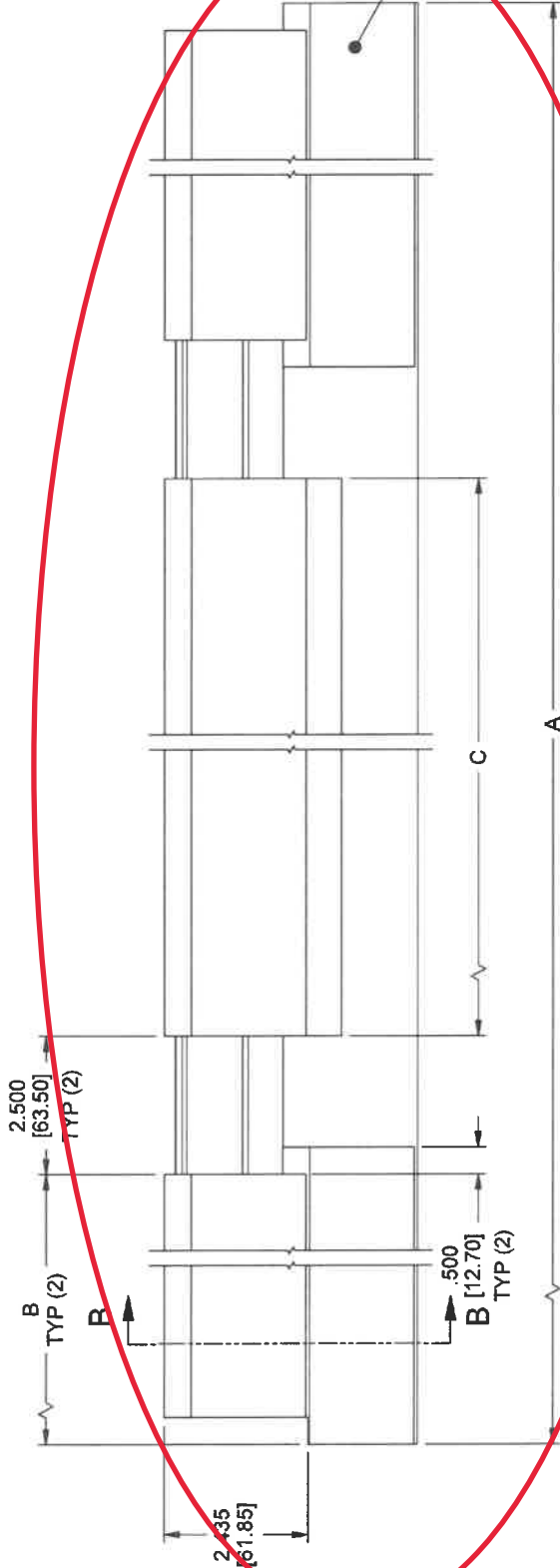
IF PRINTED MAY NOT BE MOST RECENT VERSION

Released

AMERICAN TEST LAB NORTH
DATE 11/30/23
REPORT NO. ATLNC 0503.01-23

Keith Owen
ATL INSPECTOR

SIDELITE
PANEL SPACER (2)



TITLE: Z-SERIES OUTSWING BUMPER SILL

ORIGINAL PCN NO.: 9769	REV: B
SCALE: NTS	DRAWN BY: EVT
SHEET SIZE: B	DATE: 01/23/18
DRAWING NO.: C2030805	SHEET: 2 OF 3

TOLERANCES UNLESS OTHERWISE NOTED ARE:
 FRACTION ± 1/32"
 DECIMAL ± .031"
 ANGLE ± 1°

DRAWING DESIGN AND OTHER DISCLOSURES ARE THE PROPERTY OF MASONITE DOOR CORPORATION. UNAUTHORIZED USE, MANUFACTURE OR REPRODUCTION, IN WHOLE OR IN PART, IS PROHIBITED.



CONFIDENTIAL
PROPERTY OF MASONITE

IF PRINTED MAY NOT BE MOST RECENT VERSION

AMERICAN TEST LAB NORTH
 DATE 11/30/23
 REPORT NO. ATLNC 0503.01-23

Keith Owen

ATL INSPECTOR

PART #	DIM. A	DIM. B	DIM. C	ALUMINUM CAP & CAP FINISH	DESCRIPTION
231613023.00	59.000 [1498.60]	11.500 [292.10]	31.000 [787.40]	MILL & WOODGRAIN	1/0-2/8-1/0 X 4-9/16 Z SILL W/ SUB
231623023.00	59.000 [1498.60]	11.500 [292.10]	31.000 [787.40]	BRONZE & WOODGRAIN	1/0-2/8-1/0 X 4-9/16 Z SILL W/ SUB
231633023.00	59.000 [1498.60]	11.500 [292.10]	31.000 [787.40]	MILL & BLACK	1/0-2/8-1/0 X 4-9/16 Z SILL W/ SUB
231643023.00	59.000 [1498.60]	11.500 [292.10]	31.000 [787.40]	BRONZE & BLACK	1/0-2/8-1/0 X 4-9/16 Z SILL W/ SUB
231613014.00	63.000 [1600.20]	11.500 [292.10]	35.000 [889.00]	MILL & WOODGRAIN	1/0-3/0-1/0 X 4-9/16 Z SILL W/ SUB
231623014.00	63.000 [1600.20]	11.500 [292.10]	35.000 [889.00]	BRONZE & WOODGRAIN	1/0-3/0-1/0 X 4-9/16 Z SILL W/ SUB
231633014.00	63.000 [1600.20]	11.500 [292.10]	35.000 [889.00]	MILL & BLACK	1/0-3/0-1/0 X 4-9/16 Z SILL W/ SUB
231643014.00	63.000 [1600.20]	11.500 [292.10]	35.000 [889.00]	BRONZE & BLACK	1/0-3/0-1/0 X 4-9/16 Z SILL W/ SUB
231613019.00	63.000 [1600.20]	13.500 [342.90]	31.000 [787.40]	MILL & WOODGRAIN	1/2-2/8-1/2 X 4-9/16 Z SILL W/ SUB
231623019.00	63.000 [1600.20]	13.500 [342.90]	31.000 [787.40]	BRONZE & WOODGRAIN	1/2-2/8-1/2 X 4-9/16 Z SILL W/ SUB
231633019.00	63.000 [1600.20]	13.500 [342.90]	31.000 [787.40]	MILL & BLACK	1/2-2/8-1/2 X 4-9/16 Z SILL W/ SUB
231643019.00	63.000 [1600.20]	13.500 [342.90]	31.000 [787.40]	BRONZE & BLACK	1/2-2/8-1/2 X 4-9/16 Z SILL W/ SUB
231613020.00	67.000 [1701.80]	13.500 [342.90]	35.000 [889.00]	MILL & WOODGRAIN	1/2-3/0-1/2 X 4-9/16 Z SILL W/ SUB
231623020.00	67.000 [1701.80]	13.500 [342.90]	35.000 [889.00]	BRONZE & WOODGRAIN	1/2-3/0-1/2 X 4-9/16 Z SILL W/ SUB
231633020.00	67.000 [1701.80]	13.500 [342.90]	35.000 [889.00]	MILL & BLACK	1/2-3/0-1/2 X 4-9/16 Z SILL W/ SUB
231643020.00	67.000 [1701.80]	13.500 [342.90]	35.000 [889.00]	BRONZE & BLACK	1/2-3/0-1/2 X 4-9/16 Z SILL W/ SUB

TITLE: Z-SERIES OUTSWING BUMPER SILL

MASONITE.

REV: **B**

ORIGINAL PCN NO.: 9769

SCALE: NTS

SHEET SIZE: B

DRAWN BY: 01/23/18

EVT

SHEET: 3 OF 3

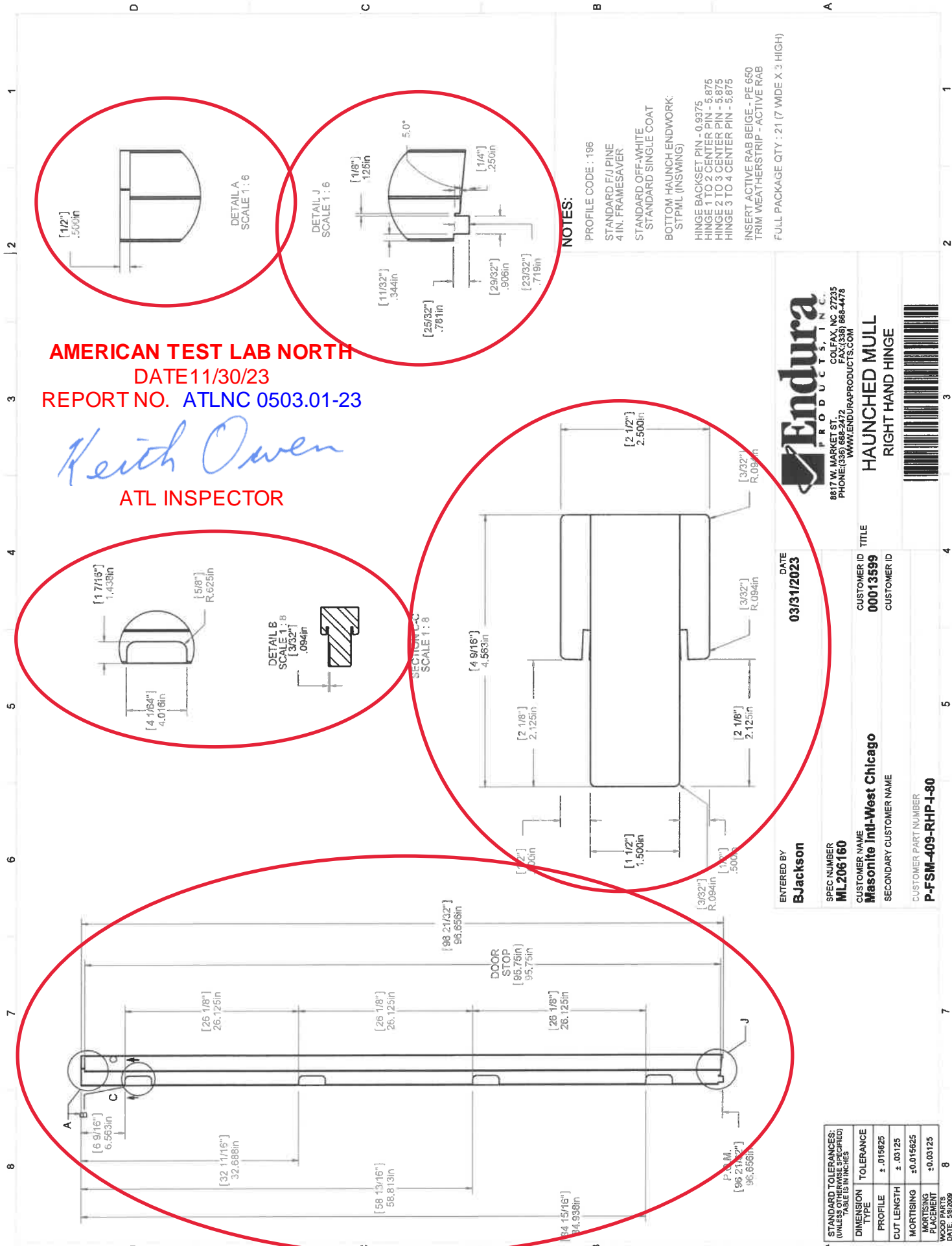
DRAWING NO.: C2030805

TOLERANCES UNLESS OTHERWISE NOTED ARE:
 FRACTION ± 1/32"
 DECIMAL ± .031"
 ANGLE ± 1°

DRAWING DESIGN AND OTHER DISCLOSURES ARE THE PROPERTY OF MASONITE DOOR CORPORATION. UNAUTHORIZED USE, MANUFACTURE OR REPRODUCTION, IN WHOLE OR IN PART, IS PROHIBITED.

IF PRINTED MAY NOT BE MOST RECENT VERSION

Released



AMERICAN TEST LAB NORTH
DATE 11/30/23
REPORT NO. ATLNC 0503.01-23

Keith Owen
ATL INSPECTOR

NOTES:

- PROFILE CODE : 196
- STANDARD F/U PINE
- 4IN. FRAMESAVER
- STANDARD OFF-WHITE
- STANDARD SINGLE COAT
- BOTTOM HAUNCH ENDWORK:
- STPML (INSWING)
- HINGE BACKSET PIN - 0.8375
- HINGE 1 TO 2 CENTER PIN - 5.875
- HINGE 2 TO 3 CENTER PIN - 5.875
- HINGE 3 TO 4 CENTER PIN - 5.875
- INSERT ACTIVE RAB BEIGE - PE 660
- TRIM WEATHERSTRIP - ACTIVE RAB
- FULL PACKAGE QTY : 21 (7 WIDE X 3 HIGH)



8817 W. MARKET ST.
 COLFAX, NC 27235
 PHONE: (336) 662-2472
 WWW.ENDURAPRODUCTS.COM

HAUNCHED MULL
RIGHT HAND HINGE



ENTERED BY: **Bjackson**
 DATE: **03/31/2023**

SPEC NUMBER ML206160	CUSTOMER ID TITLE 00013599
CUSTOMER NAME Masonite Int'l-West Chicago	CUSTOMER ID
SECONDARY CUSTOMER NAME	CUSTOMER PART NUMBER P-FSM-409-RHP-I-80

STANDARD TOLERANCES: (UNLESS OTHERWISE SPECIFIED)	
DIMENSION TYPE	TOLERANCE
PROFILE	± .015625
CUT LENGTH	± .03125
MORTISING	± 0.015625
MORTISING PLACEMENT	± 0.03125

DATE: 5/6/2009

AMERICAN TEST LAB NORTH
DATE 11/30/23
REPORT NO. ATLNC 0503.01-23

Keith Owen
ATL INSPECTOR

STANDARD TOLERANCES (UNLESS OTHERWISE SPECIFIED):	TABLE IS IN INCHES
DIMENSION TYPE	TOLERANCE
PROFILE	± .015625
CUT LENGTH	± .03125
MORTISING	± 0.015625
WORKING DIMENSION	± 0.03125
WOOD PARTS	± 0.03125



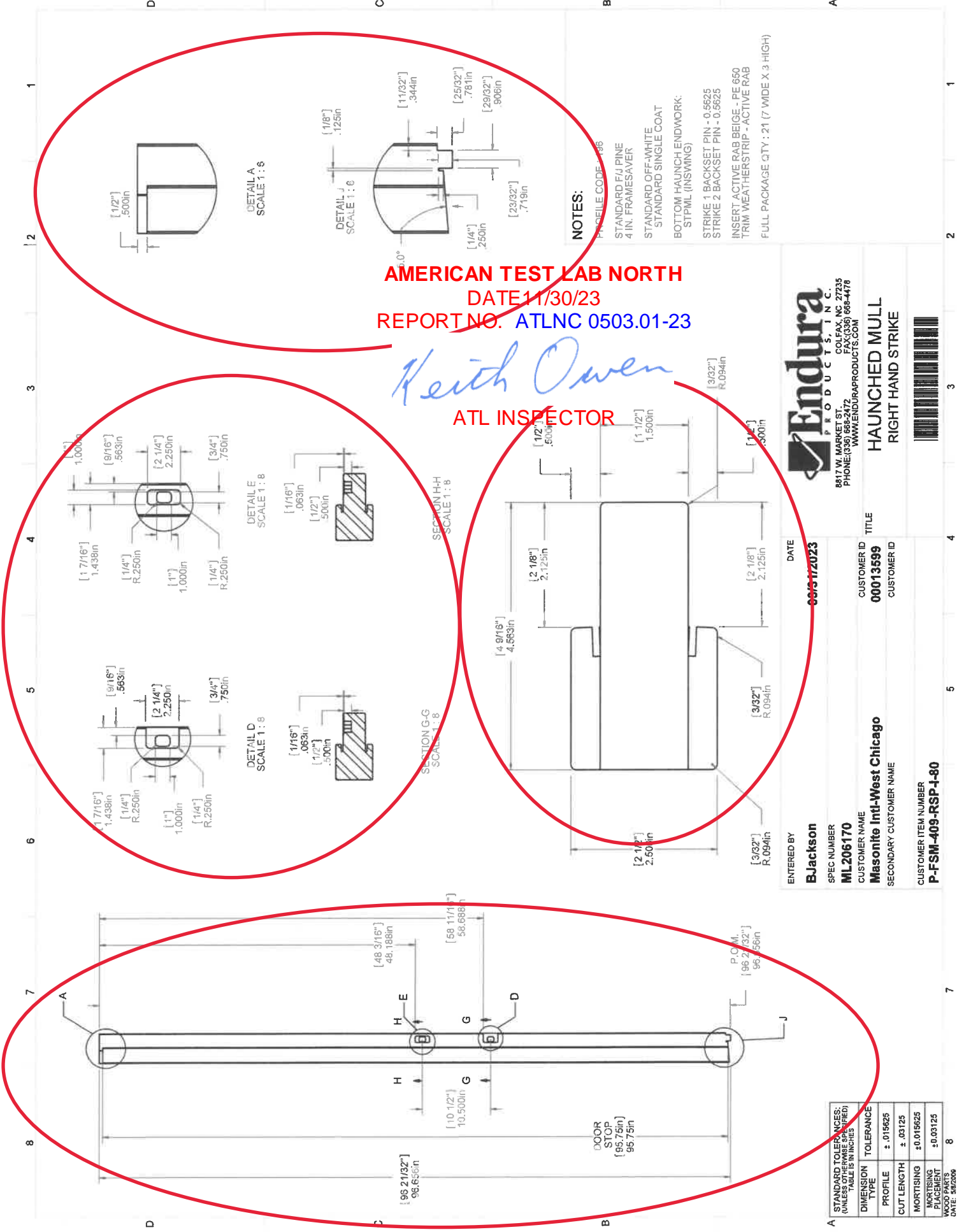
HAUNCHED MULL
RIGHT HAND STRIKE



ENTERED BY	Bjackson	DATE	09/17/2023
SPEC NUMBER	ML206170	CUSTOMER ID	00013599
CUSTOMER NAME	Masonite Intl-West Chicago	CUSTOMER NAME	
SECONDARY CUSTOMER NAME		CUSTOMER NUMBER	P-FSM-409-RSP-4-80

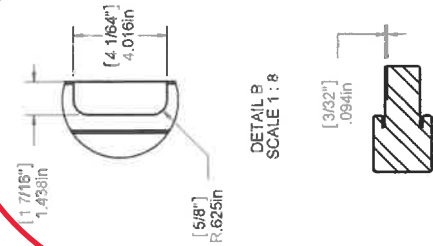
NOTES:

- PROFILE CODE 188
- STANDARD F/J PINE
- 4 IN. FRAMESAVER
- STANDARD OFF-WHITE
- STANDARD SINGLE COAT
- BOTTOM HAUNCH ENDWORK: STPML (INSWING)
- STRIKE 1 BACKSET PIN - 0.5625
- STRIKE 2 BACKSET PIN - 0.5625
- INSERT ACTIVE RAB BEIGE - PE 650
- TRIM WEATHERSTRIP - ACTIVE RAB
- FULL PACKAGE QTY : 21 (7 WIDE X 3 HIGH)

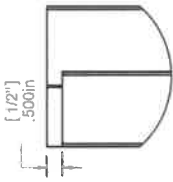


AMERICAN TEST LAB NORTH
 DATE 11/30/23
 REPORT NO. ATLNC 0503.01-23

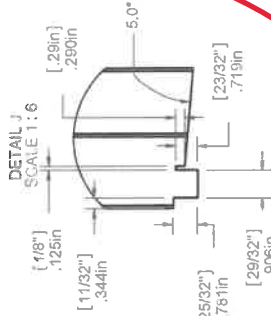
Keith Owen
 ATL INSPECTOR



SECTION C-C
 SCALE 1:8



DETAIL A
 SCALE 1:6

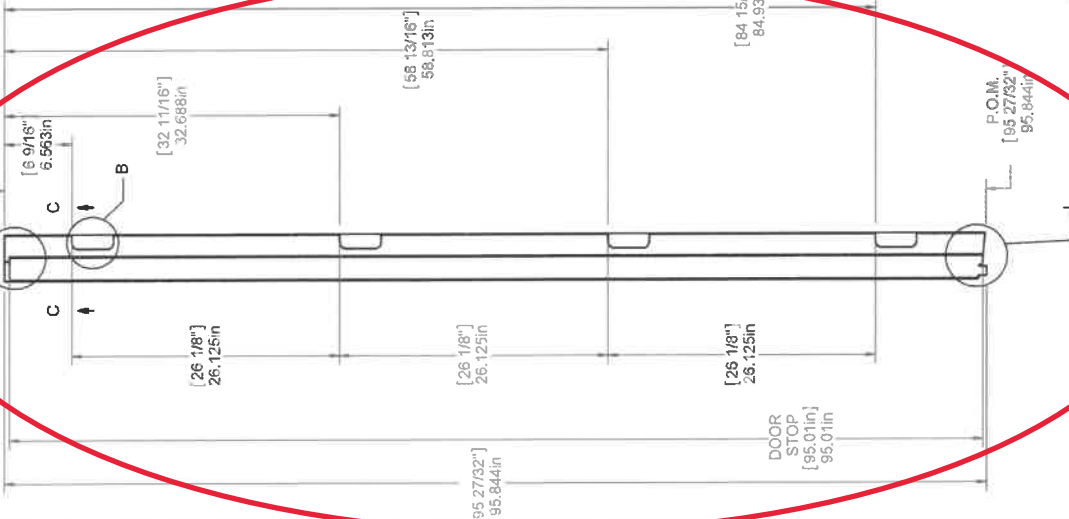


DETAIL J
 SCALE 1:6

NOTES:

- PROFILE CODE : 196
- STANDARD F/U PINE
- 4 IN. FRAMESAVER
- STANDARD OFF-WHITE
- STANDARD SINGLE COAT
- BOTTOM HAUNCH ENDWORK:
- ESZOS (OUTSWING)
- HINGE BACKSET PIN - 0.9375
- HINGE 1 TO 2 CENTER PIN - 5.875
- HINGE 2 TO 3 CENTER PIN - 5.875
- HINGE 3 TO 4 CENTER PIN - 5.875
- INSERT ACTIVE RAB BEIGE - PE 650
- TRIM WEATHERSTRIP - ACTIVE RAB

FULL PACKAGE QTY : 21 (7 WIDE X 3 HIGH)



SECTION C-C
 SCALE 1:8

Endura
 PRODUCTS, INC.
 8817 W. MARKET ST.
 COLFAX, NC 27235
 PHONE: (336) 668-2472
 FAX: (336) 668-4478
 WWW.ENDURAPRODUCTS.COM

HAUNCHED MULL
LEFT HAND HINGE

ENTERED BY: **BJackson** DATE: **03/31/2023**

SPEC NUMBER: **ML 206162**

CUSTOMER NAME: **Masonite Int'l-West Chicago**

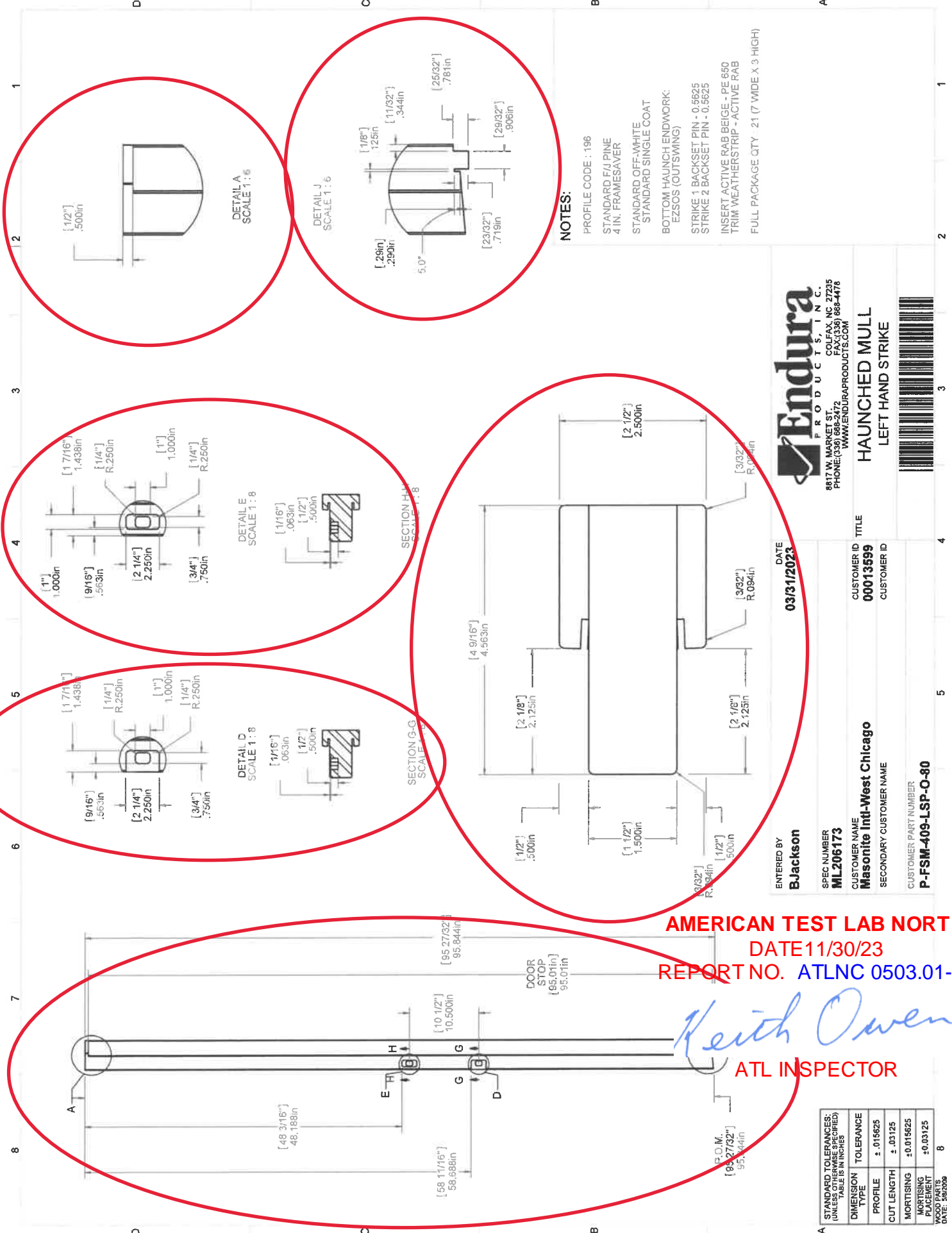
SECONDARY CUSTOMER NAME:

CUSTOMER ID: **00013599**

CUSTOMER ITEM NUMBER: **P-FSM-409-LHP-O-80**

TITLE:

STANDARD TOLERANCES: (UNLESS OTHERWISE SPECIFIED)	
DIMENSION TYPE	TOLERANCE
PROFILE	± .015625
CUT LENGTH	± .03125
MORTISING	±0.015625
MORTISING PLACEMENT	±0.03125
WOOD MOISTURE	8
DATE	06/02/06



NOTES:

- PROFILE CODE : 196
- STANDARD F4/PINE
- 4 IN. FRAMESAVER
- STANDARD OFF-WHITE
- STANDARD SINGLE COAT
- BOTTOM HAUNCH ENDWORK:
- EZSOS (OUTSWING)
- STRIKE 1 BACKSET PIN - 0.5625
- STRIKE 2 BACKSET PIN - 0.5625
- INSERT ACTIVE RAB BEIGE - PE 650
- TRIM WEATHERSTRIP - ACTIVE RAB
- FULL PACKAGE QTY : 21 (7 WIDE X 3 HIGH)



6617 W. MARKET ST.
 COLFAX, NC 27235
 PHONE: (336) 566-2472
 FAX: (336) 868-4478
 WWW.ENDURAPRODUCTS.COM

**HAUNCHED MULL
 LEFT HAND STRIKE**



ENTERED BY
BJackson

DATE
03/31/2023

SPEC NUMBER
ML206173

CUSTOMER NAME
Masonite Int'l-West Chicago

SECONDARY CUSTOMER NAME
P-FSM-409-LSP-O-80

CUSTOMER ID
00013599

CUSTOMER ID
00013599

CUSTOMER PART NUMBER
P-FSM-409-LSP-O-80

AMERICAN TEST LAB NORTH
 DATE 11/30/23
 REPORT NO. ATLNC 0503.01-23

Keith Owen
 ATL INSPECTOR

STANDARD TOLERANCES: (UNLESS OTHERWISE SPECIFIED)	
DIMENSION TYPE	TOLERANCE
PROFILE	± .015625
CUT LENGTH	± .03125
MORTISING	± 0.015625
MORTISING PLACEMENT	± 0.03125

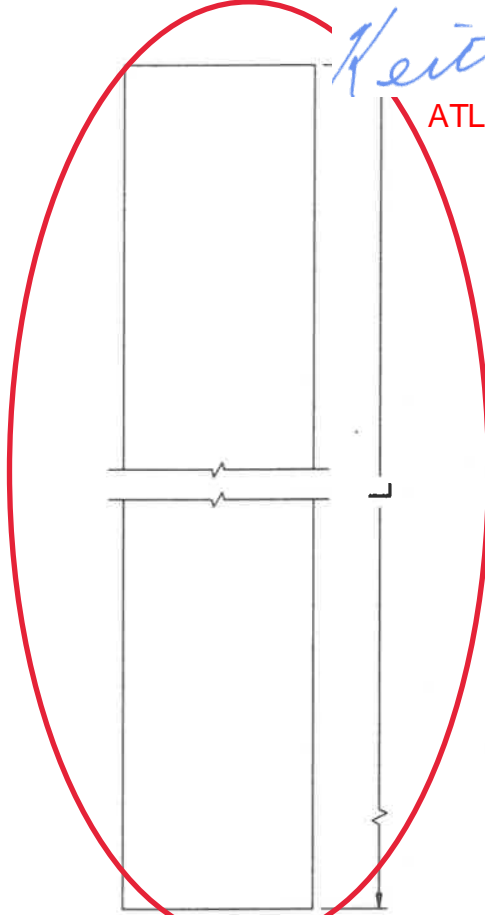
DATE: 5/6/2023

REVISION HISTORY

REV	DESCRIPTION	PCR	DRAWN BY	DATE	APPROVED
E	(10) PART NUMBERS ADDED.	718	LBH	9/30/20	AAV
F	ADDED NOTE 8	940	DB	05/19/2022	AAV

AMERICAN TEST LAB NORTH
 DATE 11/30/23
 REPORT NO. ATLNC 0503.01-23

Keith Owen
 ATL INSPECTOR



- NOTE:
- SEE: EMS 306392 FOR WOOD INSPECTION STANDARDS
 - MATERIAL IS FINGER JOINTED OR LAP LVL OR EQUIVALENT
 - PARTS ARE UNPAINTED & WITH NO PRESERVATIVE FINISH
 - GRADE "A" LVL TO MEET "GRADED SURFACE X EXTERIOR" SPECIFICATION FROM EMS 306392
 - SYMBOL (G) INDICATES CRITICAL DIMENSION
 - DIMENSIONS IN BRACKETS [XX] INDICATE METRIC mm DIMENSIONS
 - MILL OPTION TO USE ONE LAYER OF RADIATA PINE VENEER ON FRONT AND BACK.
 - ONE END OF THE THICK COMPONENTS (1.593" THICK) TO BE IDENTIFIED WITH YELLOW COLOR

PART NUMBER	DESCRIPTION	T	L	TYPE
582202150628.3750	28.375" FJ PN RAIL TOP	1.573 [39.95]	28.375 [720.73]	AFL
582202150628.5940	28.594" FJ PN RAIL TOP	1.573 [39.95]	28.594 [726.29]	MFL
582202150630.3750	30.375" FJ PN RAIL TOP	1.573 [39.95]	30.375 [771.53]	AFL
582202150630.5940	30.594" FJ PN RAIL TOP	1.573 [39.95]	30.594 [777.09]	MFL
582202150632.3750	32.375" FJ PN RAIL TOP	1.573 [39.95]	32.375 [822.33]	AFL
582202150632.5940	32.594" FJ PN RAIL TOP	1.573 [39.95]	32.594 [827.89]	MFL
582202150633.0310	33.031" FJ PN RAIL TOP	1.573 [39.95]	33.031 [838.99]	AFL
582202150634.3750	34.375" FJ PN RAIL TOP	1.573 [39.95]	34.375 [873.13]	AFL
582202150634.5940	34.594" FJ PN RAIL TOP	1.573 [39.95]	34.594 [878.69]	MFL
582202150728.3750	28.375" (GEN) FJ PN RAIL TOP	1.593 [40.46]	28.375 [720.73]	AFL
582202150728.5940	28.594" (GEN) FJ PN RAIL TOP	1.593 [40.46]	28.594 [726.29]	MFL
582202150730.3750	30.375" (GEN) FJ PN RAIL TOP	1.593 [40.46]	30.375 [771.53]	AFL
582202150730.5940	30.594" (GEN) FJ PN RAIL TOP	1.593 [40.46]	30.594 [777.09]	MFL
582202150732.3750	32.375" (GEN) FJ PN RAIL TOP	1.593 [40.46]	32.375 [822.33]	AFL
582202150732.5940	32.594" (GEN) FJ PN RAIL TOP	1.593 [40.46]	32.594 [827.89]	MFL
582202150733.0310	33.031" (GEN) FJ PN RAIL TOP	1.593 [40.46]	33.031 [838.99]	AFL
582202150734.3750	34.375" (GEN) FJ PN RAIL TOP	1.593 [40.46]	34.375 [873.13]	AFL
582202150734.5940	34.594" (GEN) FJ PN RAIL TOP	1.593 [40.46]	34.594 [878.69]	MFL
582202150740.5940	40.594" (GEN) FJ PN RAIL TOP	1.593 [40.46]	40.594 [1031.09]	MFL

5/4 TOP RAIL
 FIBERGLASS - PURCHASED

TOLERANCES UNLESS OTHERWISE NOTED ARE:
 FRACTION ± 1/32"
 DECIMAL ± .031"
 ANGLE ± 1°

ORIGINAL PCR REVISION
 9393

SCALE
 NTS

SHEET
 1 OF 1

DATE
 6/30/2016

DRAWN BY
 JL

DRAWING
 B

C2030367

MASONITE

TOLERANCES UNLESS OTHERWISE NOTED ARE:
 FRACTION ± 1/32"
 DECIMAL ± .031"
 ANGLE ± 1°

DRAWING DESIGN AND OTHER DISCLOSURES ARE THE PROPERTY OF MASONITE DOOR CORPORATION. UNAUTHORIZED USE, MANUFACTURE OR REPRODUCTION (IN WHOLE OR IN PART) IS PROHIBITED.

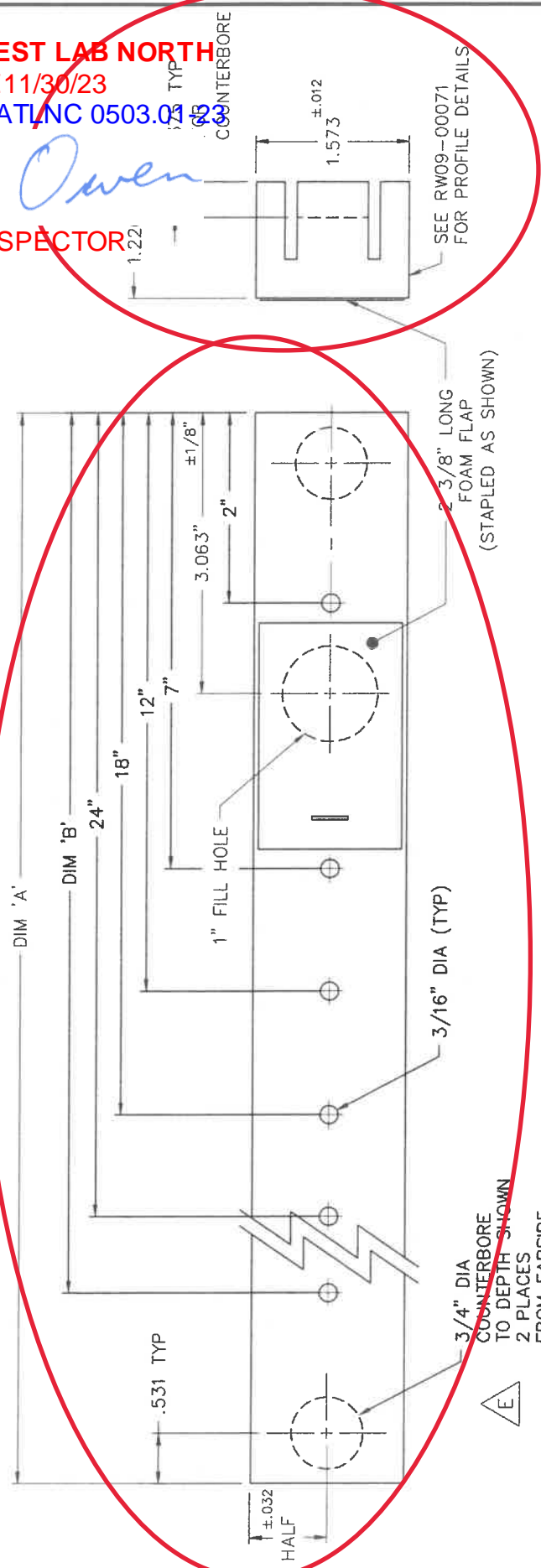
REV.	DESCRIPTION	DATE	INIT.	ECN#
C	DIM 1.595 WAS 1.600	4/1/13	AAV	8706
D	DIM 1.573 WAS 1.595	9/1/17	CJ	9440.1
E	(2) 3/4" HOLES ADDED	12/5/17	AAV	9522.1

AMERICAN TEST LAB NORTH
 DATE 11/30/23
 REPORT NO. ATL NC 0503.018

Keith Owen
 ATL INSPECTOR

REPLACEMENT			
WIDTH	PART #	DIM "A"	DIM "B"
26	581902160327-3751348	27 3/8"	N/A
28	581902160329-3751348	29 3/8"	28"
210	581902160331-3751348	31 3/8"	30"
30	581902160333-3751348	33 3/8"	30"

NEW CONSTRUCTION			
WIDTH	PART #	DIM "A"	DIM "B"
26	581902160328-3751348	28 3/8"	N/A
28	581902160330-3751348	30 3/8"	28"
210	581902160332-3751348	32 3/8"	30"
30	581902160334-3751348	34 3/8"	30"



ORIGINAL ECN NO.	DESCRIPTION	DATE	INIT.	ECN#
07-019	5/4 BOTTOM RAIL (COMPOSITE) - NEW LINE FIBERGLASS - MANUFACTURED (.750 TAB)			

TOLERANCES UNLESS OTHERWISE NOTED ARE:	FRACTION	DECIMAL	ANGLE
	±1/32"	±.031"	±1°

SPEC	SCALE	DRAWN	CHECKED
PREM/MASONITE	FULL	ELE 10/05/07	

DRAWING DESIGN AND OTHER DISCLOSURES ARE THE PROPERTY OF MASONITE DOOR CORPORATION. UNAUTHORIZED USE, MANUFACTURE OR REPRODUCTION, IN WHOLE OR IN PART, IS PROHIBITED.

MASONITE.

DRAWING NUMBER: RW09-00119

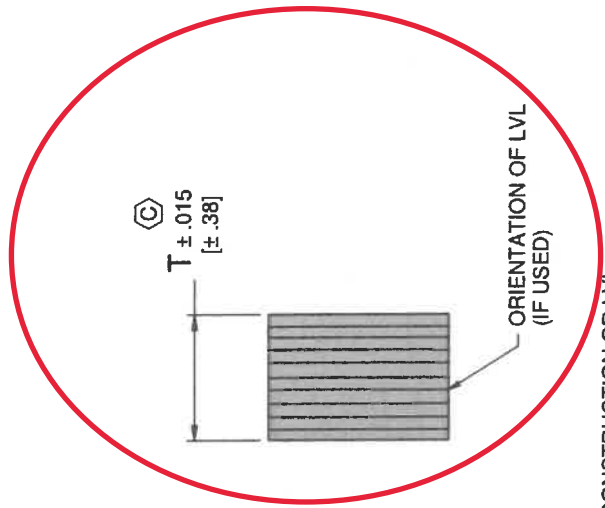
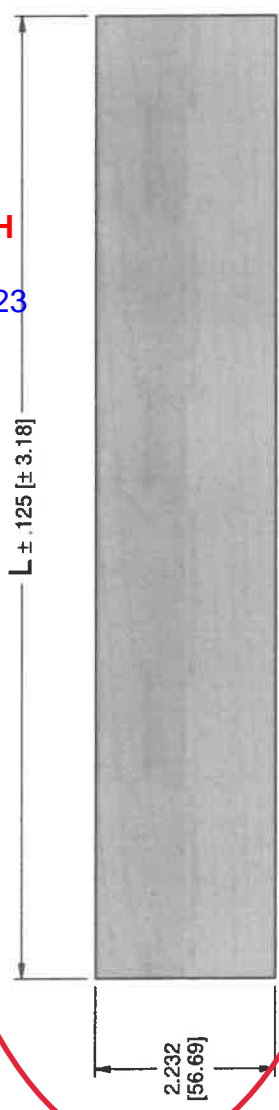
- NOTES:
1. MATERIAL IS TO BE COMPOSITE.
 2. PARTS ARE TO BE UNPRIMED.
 3. MAKE FROM PURCHASED COMPONENTS ON DRAWING #RW09-00071.

REVISION HISTORY			
REV	DESCRIPTION	PCR	DRAWN BY
C	(2) PART NUMBERS ADDED.	718	LBH
D	ADDED NOTE 7	940	DB

DATE	APPROVED
9/30/20	AAV
05/19/2022	AAV

AMERICAN TEST LAB NORTH
 DATE 11/30/23
 REPORT NO. ATLNC 0503.01-23

Keith Owen
 ATL INSPECTOR



- NOTE:**
1. MATERIAL TO BE SOLID WOOD CONSTRUCTION OR LVL.
 2. SEE DRAWING EMS-306933 FOR MATERIAL SPECIFICATIONS.
 3. MATERIAL IS UNPAINTED
 4. DIMENSIONS IN BRACKETS [X.XX] INDICATE METRIC (mm) DIMENSIONS
 5. FOR MASONITE PLANT:
 FOR USE WITH RAISED PANEL BARRINGTON,
 6/8 SMOOTH 6 PANEL HVHZ & 6/8 SMOOTH FLUSH HVHZ.
 LOCK BLOCK NEEDS TO BE PLANNED DOWN TO 1.545 ± .015.
 6. SYMBOL (C) INDICATES CRITICAL DIMENSION.
 7. ONE END OF THE THICK COMPONENTS (1.585" THICK) TO BE IDENTIFIED WITH YELLOW COLOR

PART NUMBER	DESCRIPTION	T	L
580A03000312.0000	12" SOLID WOOD LOCK BLOCK	1.565 [39.75]	12.000 [304.80]
580A03000321.0000	21" SOLID WOOD LOCK BLOCK	1.565 [39.75]	21.000 [533.40]
580A03000712.0000	12" (GEN) SOLID WOOD LOCK BLOCK	1.585 [40.26]	12.000 [304.80]
580A03000721.0000	21" (GEN) SOLID WOOD LOCK BLOCK	1.585 [40.26]	21.000 [533.40]

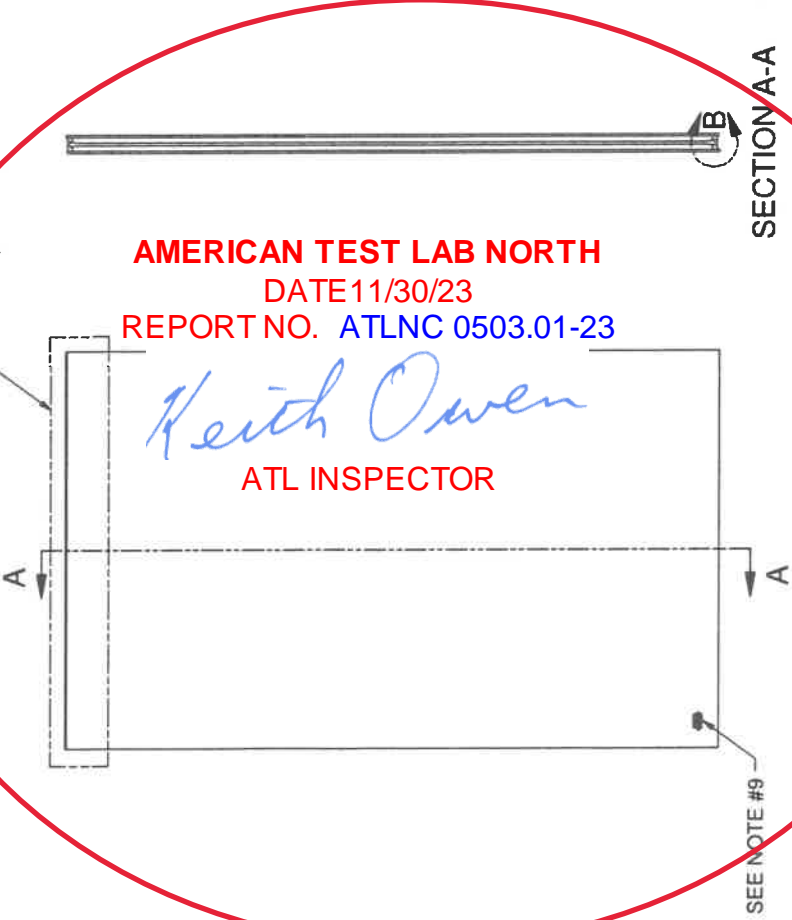
TITLE		ORIGINAL/REVISION	
SOLID WOOD LOCK BLOCK FOR 8/4 STILES - PURCHASED		9415	D
TOLERANCES UNLESS OTHERWISE NOTED ARE:		SCALE	SHEET
FRACTION ± 1/32"		NTS	1 OF 1
DECIMAL ± .031"		SHEET SIZE	JH
ANGLE ± 1°		DATE	3/23/2016
DRAWING DESIGN AND OTHER DISCLOSURES ARE THE PROPERTY OF MASONITE DOOR CORPORATION. UNAUTHORIZED USE, MANUFACTURE OR REPRODUCTION (IN WHOLE OR IN PART) IS PROHIBITED.		DRAWING	
		C2030318	

Released

REVISION HISTORY

REV	DESCRIPTION	PCR	DRAWN BY	DATE	APPROVED
E	EDITED LEADER TEXT ON SHEET 2	1201	DB	10/26/2022	AAV

CLOSURE TO BE AT TOP OF UNIT, SEE NOTE #6



NOTE:

1. PREMIUM CUSHION EDGE SPACER SHOWN, PREMIUM SUPER SPACER SIMILAR REFER TO DRAWING C2030627 FOR SPACER DETAILS.
2. SECONDARY SEAL MUST NOT EXTEND BEYOND EDGE OF GLASS.
3. RECTANGULAR LITE SHOWN. DETAIL "B" IS TYPICAL OF ALL SHAPES AND SIDES.
4. FOR IGU MANUFACTURING, INSPECTION & QUALITY REQUIREMENTS, REFER TO QUANEX SUPER SPACER INSULATING GLASS MANUFACTURING MANUAL.
5. CLOSURE MUST BE TIGHT WITH NO GAPS OR VOIDS IN SEALANT.
6. CLOSURE TO BE LOCATED AT TOP OF THE SEALED UNIT, UNLESS OTHERWISE SPECIFIED.
7. SEE SBP-EMS-0001 FOR FLAT GLASS SPECIFICATIONS.
8. SEE SBP-EMS-0006 FOR FLAT GLASS QUALITY SPECIFICATIONS.
9. TEMPER LOGOS ON BOTH PANES TO ALIGN IN SAME CORNER.
10. ALL TEMPERED GLASS MUST COMPLY WITH THE CODES AND STANDARDS LISTED IN SPEC. #SBP-EMS-0001, SECTION 3.0.
11. ALL TEMPERED GLASS TO BE MARKED WITH LOGO PER SPEC. # SBP-EMS-0001, SECTION 4.0.
12. IG UNITS TO BE 3RD PARTY CERTIFIED TO ASTM E 2190 "STANDARD SPECIFICATION FOR INSULATING GLASS UNIT FOR PERFORMANCE AND EVALUATION" AND BE MARKED PER THEIR INSPECTION AGENCY REQUIREMENTS
13. IG CERTIFICATION LOGO TO BE SAME CORNER OF IGU AS TEMPERED GLASS LOGO.
14. FOR CONSTRUCTION DETAILS, ACCEPTABLE MATERIALS, QUALITY STANDARDS, AND PERFORMANCE REQUIREMENTS OF LAMINATED SAFETY GLASS FOR LAMINATED IGU, REFER TO MASONITE EMS # SBP-EMS-0008.
15. DIMENSIONS IN BRACKETS [XX] INDICATE METRIC mm DIMENSIONS
16. IGU EDGE SHOULD BE FREE FROM EMBEDDED PIECES OF GLASS/CARDBOARD/CORK PADS ETC.

TITLE		SUPER SPACER INSULATED GLASS UNIT ASSEMBLY		ORIGINAL PCR REVISION	E
SCALE		9576	SHEET	1 OF 2	EVT
TOLERANCES UNLESS OTHERWISE NOTED ARE:		FRACTION ± 1/32" DECIMAL ± .031" ANGLE ± 1°		SHEET SIZE	B
DRAWING DESIGN AND OTHER DISCLOSURES ARE THE PROPERTY OF MASONITE DOOR CORPORATION. UNAUTHORIZED USE, MANUFACTURE OR REPRODUCTION (IN WHOLE OR IN PART) IS PROHIBITED.		DATE		5/2/2017	
MASONITE		DRAWING		A1020319	

Released

LOW-E COATING SURFACE (LOW-E OR LOW-E ARGON IGU)

AIR (CLEAR OR LOW-E IGU)
OR ARGON FILLED (LOW-E ARGON IGU)
(MINIMUM 90% INITIAL FILL REQUIRED)

CLEAR OR LOW-E
LAMINATED GLASS

OPTIONAL DECORATIVE PANEL

CLEAR OR TEXTURED
TEMPERED GLASS

PREMIUM SUPER SPACER
WITH BLACK ACRYLIC ADHESIVE

QUANEX EDGETHERM 3600
OR HB FULLER ISOMELT M
MINIMUM 7/32"

.500 MAX
[12.70]

.063 MAX SKEW
[1.60]
(MANUAL LINE)

.031 MAX SKEW
[.79]
(AUTO LINE)

W

X ± .032
[.81]

DETAIL B

STANDARD IGU

TABLE 1

X	W
1.000	0.750
0.750	0.500
0.500	0.250

OPTIONAL DECORATIVE PANEL

CLEAR OR TEXTURED
TEMPERED GLASS

PREMIUM SUPER SPACER
WITH BLACK ACRYLIC ADHESIVE

QUANEX EDGETHERM 3600
OR HB FULLER ISOMELT M
MINIMUM 7/32"

.500 MAX
[12.70]

.063 MAX SKEW
[1.60]
(MANUAL LINE)

.031 MAX SKEW
[.79]
(AUTO LINE)

W

X ± .032
[.81]

DETAIL B

LAMINATED IGU

TABLE 2

X	W
1.000	0.545

LOW-E COATING SURFACE (LOW-E OR LOW-E ARGON IGU)

AIR (CLEAR OR LOW-E IGU)
OR ARGON FILLED (LOW-E ARGON IGU)
(MINIMUM 90% INITIAL FILL REQUIRED)

CLEAR OR LOW-E
LAMINATED GLASS

OPTIONAL DECORATIVE PANEL

CLEAR OR TEXTURED
TEMPERED GLASS

PREMIUM SUPER SPACER
WITH BLACK ACRYLIC ADHESIVE

QUANEX EDGETHERM 3600
OR HB FULLER ISOMELT M
MINIMUM 7/32"

.500 MAX
[12.70]

.063 MAX SKEW
[1.60]
(MANUAL LINE)

.031 MAX SKEW
[.79]
(AUTO LINE)

W

X ± .032
[.81]

DETAIL B

LAMINATED IGU

TABLE 2

X	W
1.000	0.545

AMERICAN TEST LAB NORTH
DATE 11/30/23
REPORT NO. ATLNC 0503.01-23

Keith Owen
ATL INSPECTOR



TITLE SUPER SPACER INSULATED GLASS UNIT ASSEMBLY		ORIGINAL #/REVISION	E
SCALE	SHEET	DRAWN BY	EVT
NTS	2 OF 2	DATE	5/2/2017
SHEET SIZE	B	DRAWING	A1020319

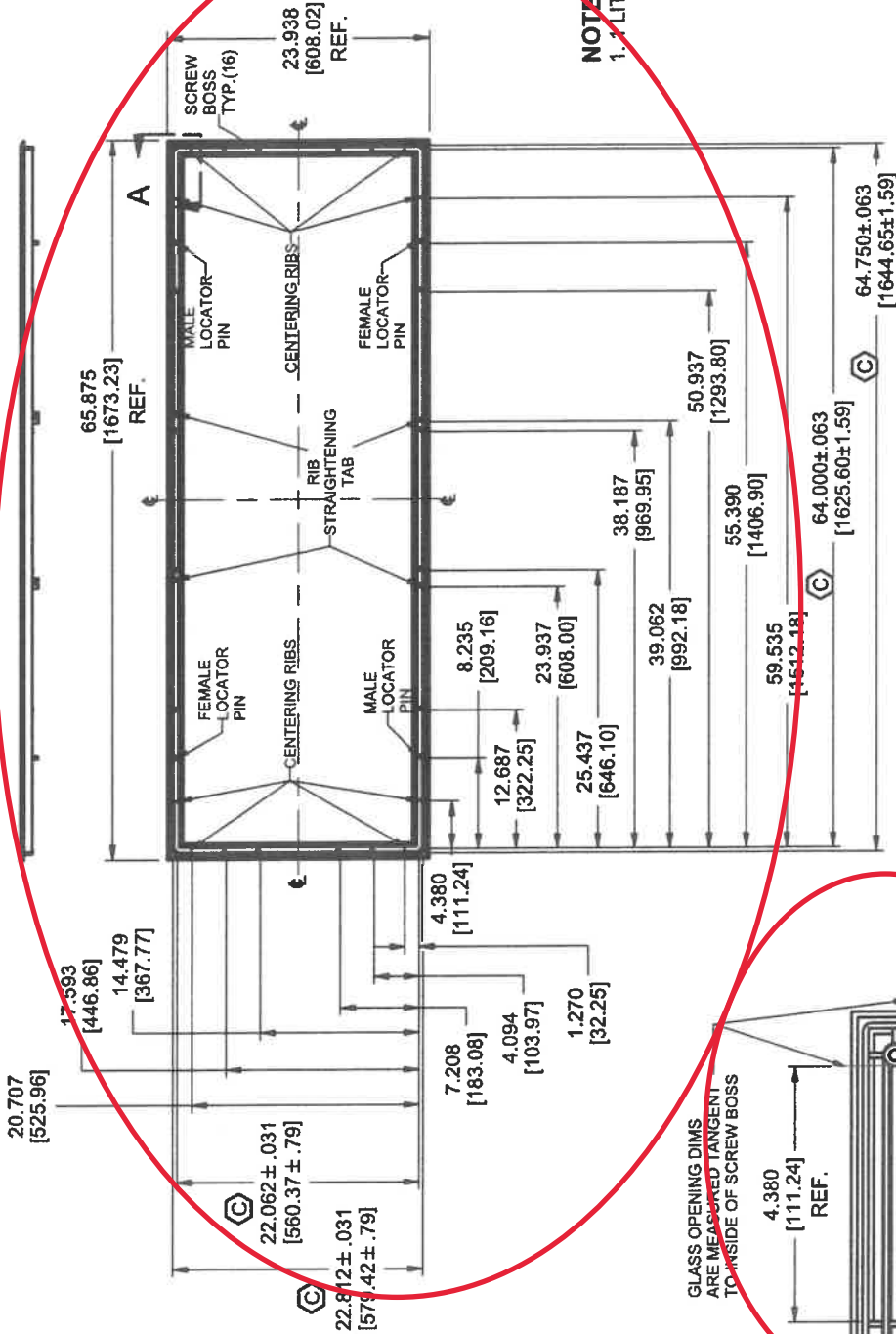
TOLERANCES UNLESS OTHERWISE NOTED ARE:
FRACTION ± 1/32"
DECIMAL ± .031"
ANGLE ± 1°
DRAWING DESIGN AND OTHER DISCLOSURES ARE THE PROPERTY OF MASONITE DOOR CORPORATION. UNAUTHORIZED USE, MANUFACTURE OR REPRODUCTION (IN WHOLE OR IN PART) IS PROHIBITED.

CONFIDENTIAL PROPERTY OF MASONITE PRINTED DRAWING MAY NOT BE M

REVISION HISTORY			
REV	DESCRIPTION	PCR	DRW BY
A	RELEASED	7673.3	HXW
			DATE
			07/21/10
			CHK BY
			MDW

AMERICAN TEST LAB NORTH
DATE 11/30/23
REPORT NO. ATLNC 0503.01-23

Keith Owen
ATL INSPECTOR



NOTES:
 1. LITE SHOWN. SIMILAR FOR 10 L ITE & 15 LITE.

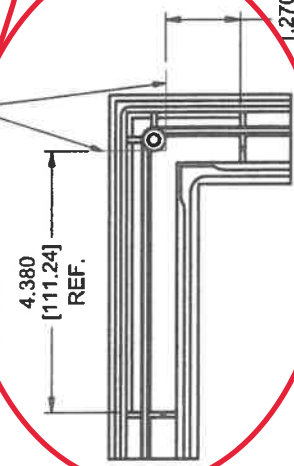
NOTICE
 THIS DRAWING IS FOR
 INSPECTION PURPOSES
 ONLY.
 IT IS NOT TO BE USED FOR
 TOOLING PURPOSES.

TITLE: 122 (22 x 64) SERIES LITE FRAMES INJECTION MOLDED - PURCHASED		ORIGINAL PCN NO.	7673.3	SPEC:	MASONITE
TOLERANCES UNLESS OTHERWISE NOTED ARE:		FRACTION ± 1/32"		SCALE	DRWN
		DECIMAL ± .031"		NTS	3/16/2009
		ANGLE ± 1°		SHEET SIZE	B
					1 OF 2
DRAWING DESIGN AND OTHER DISCLOSURES ARE THE PROPERTY OF MASONITE DOOR CORPORATION. UNAUTHORIZED USE, MANUFACTURE OR REPRO- DUCTION, IN WHOLE OR IN PART, IS PROHIBITED.		DRAWING NO. SBP-LF-0003			



UNCONTROLLED COPY IF PRINTED

GLASS OPENING DIMS
 ARE MEASURED TANGENT
 TO INSIDE OF SCREW BOSS



DETAIL A

NOTICE
 THIS DRAWING IS FOR
 INSPECTION PURPOSES
 ONLY.
 IT IS NOT TO BE USED FOR
 TOOLING PURPOSES.

AMERICAN TEST LAB NORTH
 DATE 11/30/23
 REPORT NO. ATLNC 0503.01-23

Keith Owen
 ATL INSPECTOR

TYPE	PART #	FRAME SIDE	EXTERNAL GRIDS	# LITES	IG THICKNESS
ALMOND	78F122-01-1AO	Inner	No	1	1"
	78F122-01-1AX	Outer			
	78F122-15-5AO	Inner	Yes	15	1/2"
	78F122-15-5AX	Outer			
	78F122-01-1MO	Inner	No	1	1"
	78F122-01-1MX	Outer			
CENTURION	78F122-01-5MO	Inner	No	1	1/2"
	78F122-01-5MX	Outer			
	78F122-10-5MO	Inner	Yes	10	1/2"
	78F122-10-5MX	Outer			
	78F122-15-1MO	Inner	Yes	15	1"
	78F122-15-1MX	Outer			
MAHOGAN Y	78F122-15-5MO	Inner	Yes	15	1/2"
	78F122-15-5MX	Outer			
	78F122-01-1YO	Inner	No	1	1"
	78F122-01-1YX	Outer			
	78F122-01-1GO	Inner	No	1	1"
	78F122-01-1GX	Outer			

- NOTES:**
- SEE DRAWING # SBP-LF-0005 FOR PROFILE & SPECIFIC PART FEATURE DETAILS.
 - SEE DRAWING # SBP-EMS-0002 FOR LITE FRAME MATERIAL & QUALITY SPECIFICATION.
 - DIMS IN BRACKETS [X:XX] INDICATE METRIC VALUES.
 - PACKAGING SPEC:
 - BOX DIMENSIONS / TYPE: 66.25" x 23" x 24" ID, 51 ECT, BC RSC DOUBLEWALL, STICHD.
 - BOX QTY : 18 PCS.
 - PALLET DIMENSIONS : 47" x 67" x 5"
 - BOXES PER PALLET: 8
 - Ⓢ INDICATES CRITICAL DIMENSION. 4 TOTAL.

TITLE: 122 SERIES (22 x 64) LITE FRAMES INJECTION MOLDED - PURCHASED		SPEC: MASONITE	
ORIGINAL PCN NO.	7679.3	SCALE	NTS
TOLERANCES UNLESS OTHERWISE NOTED ARE:		FRACTION ± 1/32"	DRAWN BY 3/16/2009 HXW
		DECIMAL ± .031"	SHEET SIZE B
		ANGLE ± 1°	SHEET 2 OF 2
DRAWING DESIGN AND OTHER DISCLOSURES ARE THE PROPERTY OF MASONITE DOOR CORPORATION. UNAUTHORIZED USE, MANUFACTURE OR REPRODUCTION, IN WHOLE OR IN PART, IS PROHIBITED.		DRAWING NO. SBP-LF-0003	



UNCONTROLLED COPY IF PRINTED

AMERICAN TEST LAB NORTH
 DATE 11/30/23
 REPORT NO. ATLNC 0503.01-23

Keith Owen

ATL INSPECTOR

MASONITE SPEC 7/0 Full Lite

Glass Width	Glass Height	Door Widths	Door Height	A	B	C	D	E (REF)	F (REF)	G
26.000	68.000	3/0	7/0	35.750	83.000	66.863	24.863	10.220	4.673	4.673

MASONITE SPEC 7/6 Full Lite

Glass Width	Glass Height	Door Widths	Door Height	A	B	C	D	E (REF)	F (REF)	G
26.000	74.000	3/0	7/6	35.750	89.000	72.863	24.863	10.220	4.673	4.673

PREM DOOR SPEC 7/0 Full Lite

Glass Width	Glass Height	Door Widths	Door Height	A	B	C	D	E (REF)	F (REF)	G
26.000	68.000	3/0	7/0	35.750	83.250	66.863	24.863	10.470	4.673	4.673

PREM DOOR SPEC 7/6 Full Lite

Glass Width	Glass Height	Door Widths	Door Height	A	B	C	D	E (REF)	F (REF)	G
26.000	74.000	3/0	7/6	35.750	89.250	72.863	24.863	10.470	4.673	4.673

TABLE 3: PREM DOOR SPEC 6/8 Full Lite

Glass Width	Glass Height	Door Widths	Door Height	A	B	C	D	E (REF)	F (REF)	G
26.000	64.000	3/0	6/8	35.750	79.250	62.863	24.863	10.470	4.673	4.673
22.000	63.906	2/10	6/8	33.750	79.250	62.769	20.863	10.564	5.673	5.673
22.000	63.906	2/8	6/8	31.750	79.250	62.769	20.863	10.564	4.673	4.673
20.000	63.906	2/6	6/8	29.750	79.250	62.769	18.863	10.564	4.673	4.673
14.000	64.000	2/0	6/8	23.750	79.250	62.863	12.863	10.470	4.673	4.673

TABLE 4: PREM DOOR SPEC 8/0 Full Lite

Glass Width	Glass Height	Door Widths	Door Height	A	B	C	D	E (REF)	F (REF)	G
26.000	80.000	3/0	8/0	35.750	95.250	78.863	24.863	10.470	4.673	4.673
22.000	80.000	2/10	8/0	33.750	95.250	78.863	20.863	10.470	5.673	5.673
22.000	80.000	2/8	8/0	31.750	95.250	78.863	20.863	10.470	4.673	4.673
20.000	80.000	2/6	8/0	29.750	95.250	78.863	18.863	10.470	4.673	4.673
14.000	80.000	2/0	8/0	23.750	95.250	78.863	12.863	10.470	4.673	4.673

TITLE: VISTA GRANDE SLABS FULL LITE
 FINAL ASSEMBLY DETAILS



TOLERANCES UNLESS OTHERWISE NOTED ARE:
 FRACTION ± 1/32"
 DECIMAL ± .031"
 ANGLE ± 1°

DRAWING DESIGN AND OTHER DISCLOSURES ARE THE PROPERTY OF MASONITE DOOR CORPORATION. UNAUTHORIZED USE, MANUFACTURE OR REPRODUCTION (IN WHOLE OR IN PART) IS PROHIBITED.

ORIGINAL PREVISION	H
SCALE	NTS
SHEET	2 OF 11
DRAWN BY	jlomeo
SHEET SIZE	B
DATE	6/27/2016
DRAWING	A1020163

AMERICAN TEST LAB NORTH
 DATE 11/30/23
 REPORT NO. ATLNC 0503.01-23

Keith Owen

ATL INSPECTOR

TABLE 5: PATIO 6/8 Full Lite

Door Widths	Door Height	Glass Width	Glass Height	A	B	C	D	E (REF)	F (REF)	G
3/0	6/8	26.000	64.000	34.406	76.875	62.863	24.863	8.095	3.366	4.635
2/10	6/8	22.000	63.906	32.406	76.875	62.769	20.863	8.189	5.001	5.001
2/8	6/8	22.000	63.906	30.406	76.875	62.769	20.863	8.189	3.366	4.635
2/6	6/8	20.000	63.906	28.406	76.875	62.769	18.863	8.189	3.366	4.635
2/0	6/8	14.000	64.000	22.406	76.875	62.863	12.863	8.095	3.366	4.635

TABLE 6: PATIO 8/0 Full Lite

Door Widths	Door Height	Glass Width	Glass Height	A	B	C	D	E (REF)	F (REF)	G
3/0	8/0	26.000	80.000	34.406	92.875	78.863	24.863	8.095	3.366	4.635
2/10	8/0	22.000	80.000	32.406	92.875	78.863	20.863	8.095	5.001	5.001
2/8	8/0	22.000	80.000	30.406	92.875	78.863	20.863	8.095	3.366	4.635
2/6	8/0	20.000	80.000	28.406	92.875	78.863	18.863	8.095	3.366	4.635
2/0	8/0	14.000	80.000	22.406	92.875	78.863	12.863	8.095	3.366	4.635

TITLE		VISTA GRANDE SLABS FULL LITE FINAL ASSEMBLY DETAILS	
ORIGINAL PCR REVISION	H	SCALE	NTS
SHEET	3 OF 11	DRAWN BY	llomeo
SHEET SIZE	B	DATE	6/27/2016
DRAWING	A1020163		
TOLERANCES UNLESS OTHERWISE NOTED ARE: FRACTION ± 1/32" DECIMAL ± .031" ANGLE ± 1°			
DRAWING DESIGN AND OTHER DISCLOSURES ARE THE PROPERTY OF MASONITE DOOR CORPORATION. UNAUTHORIZED USE, MANUFACTURE OR REPRODUCTION (IN WHOLE OR IN PART) IS PROHIBITED.			

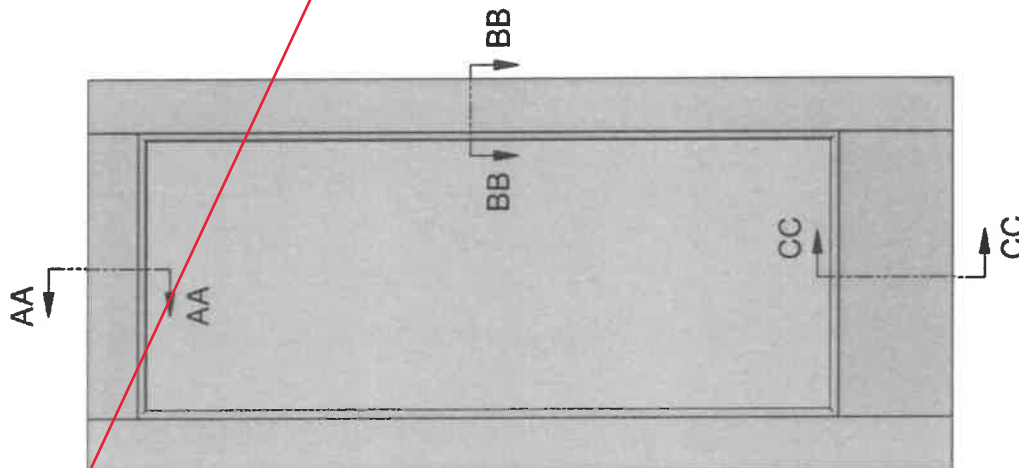


AMERICAN TEST LAB NORTH
 DATE 11/30/23
 REPORT NO. ATLNC 0503.01-23

Keith Owen

ATL INSPECTOR

TRIM SPECIFICATIONS



$.250 \pm .030$
 $[6.35 \pm .762]$

$.250 \pm .030$
 $[6.35 \pm .76]$

SECTION AA-AA

SECTION BB-BB

A $\pm .030$ SEE
 NOTE
 $[\pm .76]$ SECTION

SECTION CC-CC

- NOTE:
1. FOR MASONITE SPEC: A = .313
 2. FOR PREM SPEC: A = .063
 3. TRIM DIMENSIONS TAKEN FROM THE EDGE OF STILE OR RAIL, NOT THE EDGE OF THE FACING

TITLE VISTA GRANDE SLABS FULL LITE
 FINAL ASSEMBLY DETAILS



ORIGINAL REVISION	H
SCALE	NTS
SHEET	4 OF 11
DRAWN BY	jlomeo
SHEET SIZE	B
DATE	6/27/2016
DRAWING	
A1020163	
TOLERANCES UNLESS OTHERWISE NOTED ARE: FRACTION $\pm 1/32"$ DECIMAL $\pm .031"$ ANGLE $\pm 1'$	
DRAWING DESIGN AND OTHER DISCLOSURES ARE THE PROPERTY OF MASONITE DOOR CORPORATION. UNAUTHORIZED USE, MANUFACTURE OR REPRODUCTION (IN WHOLE OR IN PART) IS PROHIBITED.	

CONFIDENTIAL PROPERTY OF MASONITE PRINTED DRAWING MAY NOT BE MOST RECENT VERSION

Released

AMERICAN TEST LAB NORTH
 DATE 11/30/23
 REPORT NO. ATLNC 0503.01-23

Keith Owen

ATL INSPECTOR

TABLE 7: Masonite Spec Non-Textured White New Construction 6/8 - LVL Stile

SIZE	GLASS	PART NO.	DESCRIPTION
2/0x6/8	14x64	30275932	23-3/4" x 79" S&R Non-Text FIGiz FBGL Dr FG2015 14 x 64 Insert 4-3/8" Top White
2/6x6/8	20x64	30275832	29-3/4" x 79" S&R Non-Text FIGiz EBGL Dr FG2015 20 x 64 Insert 4-3/8" Top White
2/8x6/8	22x64	30275632	31-3/4" x 79" S&R Non-Text FIGiz FBGL Dr FG2015 22 x 64 Insert 4-3/8" Top White
2/10x6/8	22x64	30275532	33-3/4" x 79" S&R Non-Text FIGiz FBGL Dr FG2015 22 x 64 Insert 4-3/8" Top White
3/0x6/8	26x64	30275332	35-3/4" x 79" S&R Non-Text FIGiz FBGL Dr FG2015 26 x 64 Insert 4-3/8" Top White

TABLE 8: Masonite Spec Non-Textured White New Construction 8/0 - LVL Stile


SIZE	GLASS	PART NO.	DESCRIPTION
2/0x8/0	14x80	30276632	23-3/4" x 95" S&R Non-Text FIGiz FBGL Dr FG2015 14 x 80 Insert 4-3/8" Top White
2/6x8/0	20x80	30276532	29-3/4" x 95" S&R Non-Text FIGiz FBGL Dr FG2015 20 x 80 Insert 4-3/8" Top White
2/8x8/0	22x80	30276332	31-3/4" x 95" S&R Non-Text FIGiz FBGL Dr FG2015 22 x 80 Insert 4-3/8" Top White
2/10x8/0	22x80	30276232	33-3/4" x 95" S&R Non-Text FIGiz FBGL Dr FG2015 22 x 80 Insert 4-3/8" Top White
3/0x8/0	26x80	30276032	35-3/4" x 95" S&R Non-Text FIGiz FBGL Dr FG2015 26 x 80 Insert 4-3/8" Top White

TABLE 9: Masonite Spec Fir Textured Beige New Construction 6/8 - Pine Edge

SIZE	GLASS	PART NO.	DESCRIPTION
2/6x6/8	20x64	30277232	29-3/4" x 79" S&R Text FIGiz FBGL Dr FG2015 Fir 20 x 64 Insert 4-3/8" Top Beige
2/8x6/8	22x64	30277032	31-3/4" x 79" S&R Text FIGiz FBGL Dr FG2015 Fir 22 x 64 Insert 4-3/8" Top Beige
2/10x6/8	22x64	30276932	33-3/4" x 79" S&R Text FIGiz FBGL Dr FG2015 Fir 22 x 64 Insert 4-3/8" Top Beige
3/0x6/8	26x64	30276732	35-3/4" x 79" S&R Text FIGiz FBGL Dr FG2015 Fir 26 x 64 Insert 4-3/8" Top Beige

TABLE 10: Masonite Spec Fir Textured Beige New Construction 8/0 - Pine Edge

SIZE	GLASS	PART NO.	DESCRIPTION
2/6x8/0	20x80	30277932	29-3/4" x 95" S&R Text FIGiz FBGL Dr FG2015 Fir 20 x 80 Insert 4-3/8" Top Beige
2/8x8/0	22x80	30277732	31-3/4" x 95" S&R Text FIGiz FBGL Dr FG2015 Fir 22 x 80 Insert 4-3/8" Top Beige
2/10x8/0	22x80	30277632	33-3/4" x 95" S&R Text FIGiz FBGL Dr FG2015 Fir 22 x 80 Insert 4-3/8" Top Beige
3/0x8/0	26x80	30277432	35-3/4" x 95" S&R Text FIGiz FBGL Dr FG2015 Fir 26 x 80 Insert 4-3/8" Top Beige

TITLE VISTA GRANDE SLABS FULL LITE FINAL ASSEMBLY DETAILS		ORIGINAL REV. REVISION H
TOLERANCES UNLESS OTHERWISE NOTED ARE: DRAWING DESIGN AND OTHER DISCLOSURES ARE THE PROPERTY OF MASONITE DOOR CORPORATION. UNAUTHORIZED USE, MANUFACTURE OR REPRODUCTION (IN WHOLE OR IN PART) IS PROHIBITED.		SCALE NTS
		SHEET 5 OF 11
		DATE 6/27/2016
		DRAWING A1020163

CONFIDENTIAL PROPERTY OF MASONITE PRINTED DRAWING MAY NOT BE MOST RECENT VERSION

Released

AMERICAN TEST LAB NORTH
 DATE 11/30/23
 REPORT NO. ATLNC 0503.01-23

Keith Owen

ATL INSPECTOR

TABLE 11: Masonite Spec Non-Textured White New Construction 6/8 - CET Edge

SIZE	GLASS	PART NO.	DESCRIPTION
2/0x6/8	14x64	30278732	23-3/4" x 79" S&R Non-Text FirGiz FBGL Dr FG2015 14 x 64 Insert 4-3/8" Top White (CS)
2/6x6/8	20x64	30278632	29-3/4" x 79" S&R Non-Text FirGiz FBGL Dr FG2015 20 x 64 Insert 4-3/8" Top White (CS)
2/8x6/8	22x64	30278432	31-3/4" x 79" S&R Non-Text FirGiz FBGL Dr FG2015 22 x 64 Insert 4-3/8" Top White (CS)
2/10x6/8	22x64	30278332	33-3/4" x 79" S&R Non-Text FirGiz FBGL Dr FG2015 22 x 64 Insert 4-3/8" Top White (CS)
3/0x6/8	26x64	30278132	35-3/4" x 79" S&R Non-Text FirGiz FBGL Dr FG2015 26 x 64 Insert 4-3/8" Top White (CS)

TABLE 12: Masonite Spec Non-Textured White New Construction 8/0 - CET Edge


SIZE	GLASS	PART NO.	DESCRIPTION
2/0x8/0	14x80	30279432	23-3/4" x 95" S&R Non-Text FirGiz FBGL Dr FG2015 14 x 80 Insert 4-3/8" Top White (CS)
2/6x8/0	20x80	30279332	29-3/4" x 95" S&R Non-Text FirGiz FBGL Dr FG2015 20 x 80 Insert 4-3/8" Top White (CS)
2/8x8/0	22x80	30279132	31-3/4" x 95" S&R Non-Text FirGiz FBGL Dr FG2015 22 x 80 Insert 4-3/8" Top White (CS)
2/10x8/0	22x80	30279032	33-3/4" x 95" S&R Non-Text FirGiz FBGL Dr FG2015 22 x 80 Insert 4-3/8" Top White (CS)
3/0x8/0	26x80	30278832	35-3/4" x 95" S&R Non-Text FirGiz FBGL Dr FG2015 26 x 80 Insert 4-3/8" Top White (CS)

TABLE 13: Masonite Spec Fir Textured Beige New Construction 6/8 - CET Edge

SIZE	GLASS	PART NO.	DESCRIPTION
2/6x6/8	20x64	30280032	29-3/4" x 79" S&R Text FirGiz FBGL Dr FG2015 Fir 20 x 64 Insert 4-3/8" Top Beige (CS)
2/8x6/8	22x64	30279832	31-3/4" x 79" S&R Text FirGiz FBGL Dr FG2015 Fir 22 x 64 Insert 4-3/8" Top Beige (CS)
2/10x6/8	22x64	30279732	33-3/4" x 79" S&R Text FirGiz FBGL Dr FG2015 Fir 22 x 64 Insert 4-3/8" Top Beige (CS)
3/0x6/8	26x64	30279532	35-3/4" x 79" S&R Text FirGiz FBGL Dr FG2015 Fir 26 x 64 Insert 4-3/8" Top Beige (CS)

TABLE 14: Masonite Spec Fir Textured Beige New Construction 8/0 - CET Edge

SIZE	GLASS	PART NO.	DESCRIPTION
2/6x8/0	20x80	30280732	29-3/4" x 95" S&R Text FirGiz FBGL Dr FG2015 Fir 20 x 80 Insert 4-3/8" Top Beige (CS)
2/8x8/0	22x80	30280532	31-3/4" x 95" S&R Text FirGiz FBGL Dr FG2015 Fir 22 x 80 Insert 4-3/8" Top Beige (CS)
2/10x8/0	22x80	30280432	33-3/4" x 95" S&R Text FirGiz FBGL Dr FG2015 Fir 22 x 80 Insert 4-3/8" Top Beige (CS)
3/0x8/0	26x80	30280232	35-3/4" x 95" S&R Text FirGiz FBGL Dr FG2015 Fir 26 x 80 Insert 4-3/8" Top Beige (CS)

TITLE VISTA GRANDE SLABS FULL LITE FINAL ASSEMBLY DETAILS		ORIGINAL PCR REVISION H
TOLERANCES UNLESS OTHERWISE NOTED ARE: FRACTION ± 1/32" DECIMAL ± .031" ANGLE ± 1°		SCALE NTS
 DRAWING DESIGN AND OTHER DISCLOSURES ARE THE PROPERTY OF MASONITE DOOR CORPORATION. UNAUTHORIZED USE, MANUFACTURE OR REPRODUCTION (IN WHOLE OR IN PART) IS PROHIBITED.		DRAWN BY jomeo
		DATE 6/27/2016
		DRAWING A1020163

CONFIDENTIAL PROPERTY OF MASONITE PRINTED DRAWING MAY NOT BE MOST RECENT VERSION

Released

AMERICAN TEST LAB NORTH
 DATE 11/30/23
 REPORT NO. ATLNC 0503.01-23

Keith Owen

ATL INSPECTOR

TABLE 15: Premdor Spec Non-Textured White New Construction 6/8 - Pine Edge

SIZE	GLASS	PART NO.	DESCRIPTION
2/0x6/8	14x64	30281532	23-3/4" x 79-1/4" S&R Non-Text Figiz FBGL Dr FG2015 14 x 64 Insert 4-3/8" Top White
2/6x6/8	20x64	30281432	29-3/4" x 79-1/4" S&R Non-Text Figiz FBGL Dr FG2015 20 x 64 Insert 4-3/8" Top White
2/8x6/8	22x64	30281232	31-3/4" x 79-1/4" S&R Non-Text Figiz FBGL Dr FG2015 22 x 64 Insert 4-3/8" Top White
2/10x6/8	22x64	30281132	33-3/4" x 79-1/4" S&R Non-Text Figiz FBGL Dr FG2015 22 x 64 Insert 4-3/8" Top White
3/0x6/8	26x64	30280932	35-3/4" x 79-1/4" S&R Non-Text Figiz FBGL Dr FG2015 26 x 64 Insert 4-3/8" Top White

TABLE 16: Premdor Spec Non-Textured White New Construction 8/0 - Pine Edge

SIZE	GLASS	PART NO.	DESCRIPTION
2/0x8/0	14x80	30282232	23-3/4" x 95-1/4" S&R Non-Text Figiz FBGL Dr FG2015 14 x 80 Insert 4-3/8" Top White
2/6x8/0	20x80	30282132	29-3/4" x 95-1/4" S&R Non-Text Figiz FBGL Dr FG2015 20 x 80 Insert 4-3/8" Top White
2/8x8/0	22x80	30281932	31-3/4" x 95-1/4" S&R Non-Text Figiz FBGL Dr FG2015 22 x 80 Insert 4-3/8" Top White
2/10x8/0	22x80	30281832	33-3/4" x 95-1/4" S&R Non-Text Figiz FBGL Dr FG2015 22 x 80 Insert 4-3/8" Top White
3/0x8/0	26x80	30281632	35-3/4" x 95-1/4" S&R Non-Text Figiz FBGL Dr FG2015 26 x 80 Insert 4-3/8" Top White

TABLE 17: Premdor Spec Fir Textured Beige New Construction 6/8 - Pine Edge

SIZE	GLASS	PART NO.	DESCRIPTION
2/6x6/8	20x64	30282332	29-3/4" x 79-1/4" S&R Text Figiz FBGL Dr FG2015 Fir 20 x 64 Insert 4-3/8" Top Beige
2/8x6/8	22x64	30282632	31-3/4" x 79-1/4" S&R Text Figiz FBGL Dr FG2015 Fir 22 x 64 Insert 4-3/8" Top Beige
2/10x6/8	22x64	30282532	33-3/4" x 79-1/4" S&R Text Figiz FBGL Dr FG2015 Fir 22 x 64 Insert 4-3/8" Top Beige
3/0x6/8	26x64	30282332	35-3/4" x 79-1/4" S&R Text Figiz FBGL Dr FG2015 Fir 26 x 64 Insert 4-3/8" Top Beige

TABLE 18: Premdor Spec Fir Textured Beige New Construction 8/0 - Pine Edge

SIZE	GLASS	PART NO.	DESCRIPTION
2/6x8/0	20x80	30283532	29-3/4" x 95-1/4" S&R Text Figiz FBGL Dr FG2015 Fir 20 x 80 Insert 4-3/8" Top Beige
2/8x8/0	22x80	30283332	31-3/4" x 95-1/4" S&R Text Figiz FBGL Dr FG2015 Fir 22 x 80 Insert 4-3/8" Top Beige
2/10x8/0	22x80	30283232	33-3/4" x 95-1/4" S&R Text Figiz FBGL Dr FG2015 Fir 22 x 80 Insert 4-3/8" Top Beige
3/0x8/0	26x80	30283032	35-3/4" x 95-1/4" S&R Text Figiz FBGL Dr FG2015 Fir 26 x 80 Insert 4-3/8" Top Beige

TITLE VISTA GRANDE SLABS FULL LITE FINAL ASSEMBLY DETAILS		ORIGINAL PCR REVISION H
TOLERANCES UNLESS OTHERWISE NOTED ARE: DRAWING DESIGN AND OTHER DISCLOSURES ARE THE PROPERTY OF MASONITE DOOR CORPORATION. UNAUTHORIZED USE, MANUFACTURE OR REPRODUCTION (IN WHOLE OR IN PART) IS PROHIBITED.		SCALE NTS
MASONITE		SHEET 7 OF 11
		SHEET DATE 6/27/2016
		DRAWING A1020163

CONFIDENTIAL PROPERTY OF MASONITE PRINTED DRAWING MAY NOT BE MOST RECENT VERSION

Released

AMERICAN TEST LAB NORTH
 DATE 11/30/23
 REPORT NO. ATLNC 0503.01-23

Keith Owen

ATL INSPECTOR

TABLE 19: Premdor Spec Non-Textured White New Construction 6/8 - CET Edge

SIZE	GLASS	PART NO.	DESCRIPTION
2/0x6/8	14x64	30284332	23-3/4" x 79-1/4" S&R Non-Text FIGlz FBGL Dr FG2015 14 x 64 Insert 4-3/8" Top White (CS)
2/6x6/8	20x64	30284332	29-3/4" x 79-1/4" S&R Non-Text FIGlz FBGL Dr FG2015 20 x 64 Insert 4-3/8" Top White (CS)
2/8x6/8	22x64	30284032	31-3/4" x 79-1/4" S&R Non-Text FIGlz FBGL Dr FG2015 22 x 64 Insert 4-3/8" Top White (CS)
2/10x6/8	22x64	30283932	33-3/4" x 79-1/4" S&R Non-Text FIGlz FBGL Dr FG2015 22 x 64 Insert 4-3/8" Top White (CS)
3/0x6/8	26x64	30283732	35-3/4" x 79-1/4" S&R Non-Text FIGlz FBGL Dr FG2015 26 x 64 Insert 4-3/8" Top White (CS)

TABLE 20: Premdor Spec Non-Textured White New Construction 8/0 - CET Edge

SIZE	GLASS	PART NO.	DESCRIPTION
2/0x8/0	14x80	30285032	23-3/4" x 95-1/4" S&R Non-Text FIGlz FBGL Dr FG2015 14 x 80 Insert 4-3/8" Top White (CS)
2/6x8/0	20x80	30284932	29-3/4" x 95-1/4" S&R Non-Text FIGlz FBGL Dr FG2015 20 x 80 Insert 4-3/8" Top White (CS)
2/8x8/0	22x80	30284732	31-3/4" x 95-1/4" S&R Non-Text FIGlz FBGL Dr FG2015 22 x 80 Insert 4-3/8" Top White (CS)
2/10x8/0	22x80	30284632	33-3/4" x 95-1/4" S&R Non-Text FIGlz FBGL Dr FG2015 22 x 80 Insert 4-3/8" Top White (CS)
3/0x8/0	26x80	30284432	35-3/4" x 95-1/4" S&R Non-Text FIGlz FBGL Dr FG2015 26 x 80 Insert 4-3/8" Top White (CS)

TABLE 21: Premdor Spec Fir Textured Beige New Construction 6/8 - CET Edge

SIZE	GLASS	PART NO.	DESCRIPTION
2/6x6/8	20x64	30285632	29-3/4" x 79-1/4" S&R Text FIGlz FBGL Dr FG2015 Fir 20 x 64 Insert 4-3/8" Top Beige (CS)
2/8x6/8	22x64	30285432	31-3/4" x 79-1/4" S&R Text FIGlz FBGL Dr FG2015 Fir 22 x 64 Insert 4-3/8" Top Beige (CS)
2/10x6/8	22x64	30285332	33-3/4" x 79-1/4" S&R Text FIGlz FBGL Dr FG2015 Fir 22 x 64 Insert 4-3/8" Top Beige (CS)
3/0x6/8	26x64	30285132	35-3/4" x 79-1/4" S&R Text FIGlz FBGL Dr FG2015 Fir 26 x 64 Insert 4-3/8" Top Beige (CS)

TABLE 22: Premdor Spec Fir Textured Beige New Construction 8/0 - CET Edge

SIZE	GLASS	PART NO.	DESCRIPTION
2/6x8/0	20x80	30286332	29-3/4" x 95-1/4" S&R Text FIGlz FBGL Dr FG2015 Fir 20 x 80 Insert 4-3/8" Top Beige (CS)
2/8x8/0	22x80	30286132	31-3/4" x 95-1/4" S&R Text FIGlz FBGL Dr FG2015 Fir 22 x 80 Insert 4-3/8" Top Beige (CS)
2/10x8/0	22x80	30286032	33-3/4" x 95-1/4" S&R Text FIGlz FBGL Dr FG2015 Fir 22 x 80 Insert 4-3/8" Top Beige (CS)
3/0x8/0	26x80	30285832	35-3/4" x 95-1/4" S&R Text FIGlz FBGL Dr FG2015 Fir 26 x 80 Insert 4-3/8" Top Beige (CS)

WILE VISTA GRANDE SLABS FULL LITE
 FINAL ASSEMBLY DETAILS



TOLERANCES UNLESS OTHERWISE NOTED ARE:
 FRACTION ± 1/32"
 DECIMAL ± .031"
 ANGLE ± 1°

DRAWING DESIGN AND OTHER DISCLOSURES ARE THE PROPERTY OF MASONITE DOOR CORPORATION. UNAUTHORIZED USE, MANUFACTURE OR REPRODUCTION (IN WHOLE OR IN PART) IS PROHIBITED.

ORIGINAL PCR REVISION	H
SCALE	NTS
SHEET	8 OF 11
DRAWN BY	jloimeo
SHEET SIZE	B
DATE	6/27/2016
DRAWING	A1020163

AMERICAN TEST LAB NORTH
 DATE 11/30/23
 REPORT NO. ATLNC 0503.01-23

Keith Owen

ATL INSPECTOR

TABLE 23: Non-Textured White Patio Spec 6/8 - Pine Edge

SIZE	GLASS	PART NO.	DESCRIPTION
2/0x6/8	14x64	30287332	22-13/32" x 76-7/8" S&R Non-Text FigLz FBGL Dr FG2015 14 x 64 Insert 4-5/8" Top Offset White
2/6x6/8	20x64	30287432	28-13/32" x 76-7/8" S&R Non-Text FigLz FBGL Dr FG2015 20 x 64 Insert 4-5/8" Top Offset White
2/8x6/8	22x64	30287532	30-13/32" x 76-7/8" S&R Non-Text FigLz FBGL Dr FG2015 22 x 64 Insert 4-5/8" Top Offset White
2/10x6/8	22x64	30304332	32-13/32" x 76-7/8" S&R Non-Text FigLz FBGL Dr FG2015 22 x 64 Insert 4-5/8" Top Offset White
3/0x6/8	26x64	30287732	34-13/32" x 76-7/8" S&R Non-Text FigLz FBGL Dr FG2015 26 x 64 Insert 4-5/8" Top Offset White

TABLE 24: Non-Textured White Patio Spec 8/0 - Pine Edge

SIZE	GLASS	PART NO.	DESCRIPTION
2/0x8/0	14x80	30287832	22-13/32" x 92-7/8" S&R Non-Text FigLz FBGL Dr FG2015 14 x 80 Insert 4-5/8" Top Offset White
2/6x8/0	20x80	30287932	28-13/32" x 92-7/8" S&R Non-Text FigLz FBGL Dr FG2015 20 x 80 Insert 4-5/8" Top Offset White
2/8x8/0	22x80	30288032	30-13/32" x 92-7/8" S&R Non-Text FigLz FBGL Dr FG2015 22 x 80 Insert 4-5/8" Top Offset White
2/10x8/0	22x80	30304532	32-13/32" x 92-7/8" S&R Non-Text FigLz FBGL Dr FG2015 22 x 80 Insert 4-5/8" Top Offset White
3/0x8/0	26x80	30288132	34-13/32" x 92-7/8" S&R Non-Text FigLz FBGL Dr FG2015 26 x 80 Insert 4-5/8" Top Offset White

TABLE 25: Fir Textured Beige Patio Spec 6/8 - Pine Edge

SIZE	GLASS	PART NO.	DESCRIPTION
2/6x6/8	20x64	30288332	28-13/32" x 76-7/8" S&R Text FigLz FBGL Dr FG2015 Fir 20 x 64 Insert 4-5/8" Top Offset Beige
2/8x6/8	22x64	30288432	30-13/32" x 76-7/8" S&R Text FigLz FBGL Dr FG2015 Fir 22 x 64 Insert 4-5/8" Top Offset Beige
2/10x6/8	22x64	30304832	32-13/32" x 76-7/8" S&R Text FigLz FBGL Dr FG2015 Fir 22 x 64 Insert 4-5/8" Top Beige
3/0x6/8	26x64	30288632	34-13/32" x 76-7/8" S&R Text FigLz FBGL Dr FG2015 Fir 26 x 64 Insert 4-5/8" Top Offset Beige

TABLE 26: Fir Textured Beige Patio Spec 8/0 - Pine Edge

SIZE	GLASS	PART NO.	DESCRIPTION
2/6x8/0	20x80	30288832	28-13/32" x 92-7/8" S&R Text FigLz FBGL Dr FG2015 Fir 20 x 80 Insert 4-5/8" Top Offset Beige
2/8x8/0	22x80	30288932	30-13/32" x 92-7/8" S&R Text FigLz FBGL Dr FG2015 Fir 22 x 80 Insert 4-5/8" Top Offset Beige
2/10x8/0	22x80	30305032	32-13/32" x 92-7/8" S&R Text FigLz FBGL Dr FG2015 Fir 22 x 80 Insert 4-5/8" Top Beige
3/0x8/0	26x80	30289032	34-13/32" x 92-7/8" S&R Text FigLz FBGL Dr FG2015 Fir 26 x 80 Insert 4-5/8" Top Offset Beige

TITLE VISTA GRANDE SLABS FULL LITE
 FINAL ASSEMBLY DETAILS



TOLERANCES UNLESS OTHERWISE NOTED ARE:
 FRACTION ± 1/32"
 DECIMAL ± .031"
 ANGLE ± 1°

DRAWING DESIGN AND OTHER DISCLOSURES ARE THE PROPERTY OF MASONITE DOOR CORPORATION. UNAUTHORIZED USE, MANUFACTURE OR REPRODUCTION (IN WHOLE OR IN PART) IS PROHIBITED.

ORIGINAL PER REVISION	H
SCALE	NTS
SHEET	9 OF 11
DRAWN BY	jloimeo
DATE	6/27/2016
DRAWING	B
DRAWING	A1020163

AMERICAN TEST LAB NORTH
DATE 11/30/23
REPORT NO. ATLNC 0503.01-23

Keith Owen

ATL INSPECTOR

TABLE 27: 7/0 & 7/6 MASONITE SPEC

SIZE	GLASS	PART NO.	DESCRIPTION
3/0 X 7/0	26 X 68	30344032	35-3/4" x 83" S&R Non-Text FIGlz FBGL Dr VistaGrande 26 x 68 Insert 4-3/8" Top White
3/0 X 7/6	26 X 74	30344132	35-3/4" x 89" S&R Non-Text FIGlz FBGL Dr VistaGrande 26 x 74 Insert 4-3/8" Top White
3/0 X 7/0	26 X 68	30344032	35-3/4" x 83" S&R Non-Text FIGlz FBGL Dr VistaGrande 26 x 68 Insert 4-3/8" Top White (CS)
3/0 X 7/6	26 X 74	30344132	35-3/4" x 89" S&R Non-Text FIGlz FBGL Dr VistaGrande 26 x 74 Insert 4-3/8" Top White (CS)

TABLE 27: 7/0 & 7/6 PREM SPEC

SIZE	GLASS	PART NO.	DESCRIPTION
3/0 X 7/0	26 X 68	30344832	35-3/4" x 83-1/4" S&R Non-Text FIGlz FBGL Dr VistaGrande 26 x 68 Insert 4-3/8" Top White
3/0 X 7/6	26 X 74	30344932	35-3/4" x 89-1/4" S&R Non-Text FIGlz FBGL Dr VistaGrande 26 x 74 Insert 4-3/8" Top White
3/0 X 7/0	26 X 68	30345032	35-3/4" x 83-1/4" S&R Non-Text FIGlz FBGL Dr VistaGrande 26 x 68 Insert 4-3/8" Top White (CS)
3/0 X 7/6	26 X 74	30345132	35-3/4" x 89-1/4" S&R Non-Text FIGlz FBGL Dr VistaGrande 26 x 74 Insert 4-3/8" Top White (CS)

TITLE VISTA GRANDE SLABS FULL LITE
FINAL ASSEMBLY DETAILS



MASONITE

ORIGINAL PCR REVISION	H
SCALE	NTS
SHEET	10 OF 14
DRAWN BY	Homeo
SHEET SIZE	B
DATE	6/27/2016
DRAWING	A1020163

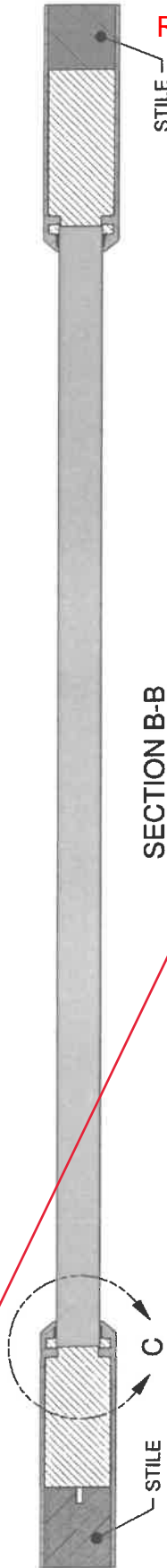
TOLERANCES UNLESS OTHERWISE NOTED ARE:
FRACTION ± 1/32"
DECIMAL ± .031"
ANGLE ± 1°
DRAWING DESIGN AND OTHER DISCLOSURES ARE THE PROPERTY OF MASONITE DOOR CORPORATION. UNAUTHORIZED USE, MANUFACTURE OR REPRODUCTION (IN WHOLE OR IN PART) IS PROHIBITED.

Released

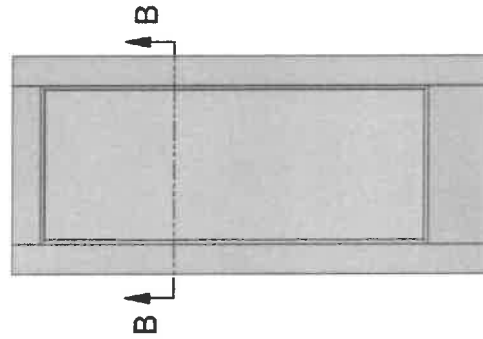
AMERICAN TEST LAB NORTH
DATE 11/30/23
REPORT NO. ATLNC 0503.01-23

Keith Owen

ATL INSPECTOR



SECTION B-B



DETAIL C

TITLE VISTA GRANDE SLABS FULL LITE
FINAL ASSEMBLY DETAILS



TOLERANCES UNLESS OTHERWISE NOTED ARE:
FRACTION $\pm 1/32"$
DECIMAL $\pm .031"$
ANGLE $\pm 1'$

DRAWING DESIGN AND OTHER DISCLOSURES ARE THE PROPERTY OF MASONITE DOOR CORPORATION. UNAUTHORIZED USE, MANUFACTURE OR REPRODUCTION (IN WHOLE OR IN PART) IS PROHIBITED.

ORIGINAL PER REVISION	H
SCALE	NTS
SHEET	11 OF 11
DRAWN BY	jlomeo
SHEET SIZE	B
DATE	6/27/2016
DRAWING	A1020163

CONFIDENTIAL PROPERTY OF MASONITE PRINTED DRAWING MAY NOT BE MOST RECENT VERSION

AMERICAN TEST LAB NORTH

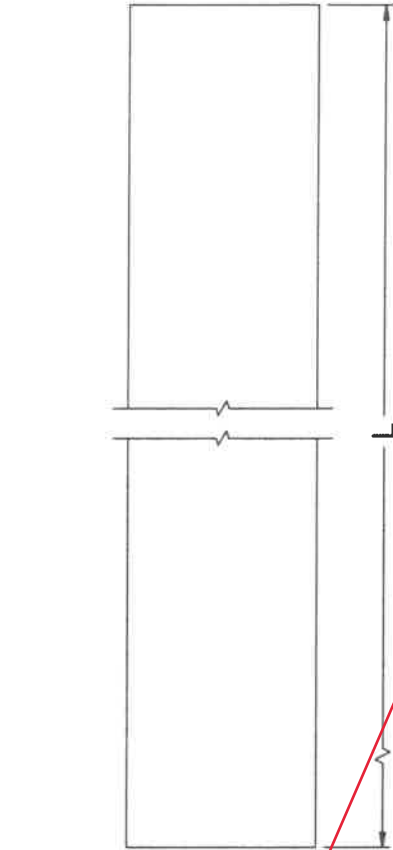
DATE 11/30/23

REPORT NO. ATLNC 0503.01-23

Keith Owen
ATL INSPECTOR

REVISION HISTORY

REV	DESCRIPTION	PCR	DRAWN BY	DATE	APPROVED
E	(10) PART NUMBERS ADDED.	718	LBH	9/30/20	AAV
F	ADDED NOTE B	940	DB	05/19/2022	AAV



NOTE:

- SEE: EMS 306392 FOR WOOD INSPECTION STANDARDS
- MATERIAL IS FINGER JOINTED OR LAP LVL OR EQUIVALENT
- PARTS ARE UNPAINTED & WITH NO PRESERVATIVE FINISH
- GRADE "A" LVL TO MEET "GRADED SURFACE X EXTERIOR" SPECIFICATION FROM EMS 306392
- SYMBOL (C) INDICATES CRITICAL DIMENSION
- DIMENSIONS IN BRACKETS [XX] INDICATE METRIC mm DIMENSIONS
- MILL OPTION TO USE ONE LAYER OF RADIATA PINE VENEER ON FRONT AND BACK. ONE END OF THE THICK COMPONENTS (1.593" THICK) TO BE IDENTIFIED WITH YELLOW COLOR

PART NUMBER	DESCRIPTION	T	L	TYPE
582202150628.3750	28.375" FJ PN RAIL TOP	1.573	28.375	AFL
582202150628.5940	28.594" FJ PN RAIL TOP	1.573	28.594	MFL
582202150630.3750	30.375" FJ PN RAIL TOP	1.573	30.375	AFL
582202150630.5940	30.594" FJ PN RAIL TOP	1.573	30.594	MFL
582202150632.3750	32.375" FJ PN RAIL TOP	1.573	32.375	AFL
582202150632.5940	32.594" FJ PN RAIL TOP	1.573	32.594	MFL
582202150633.0310	33.031" FJ PN RAIL TOP	1.573	33.031	AFL
582202150634.3750	34.375" FJ PN RAIL TOP	1.573	34.375	AFL
582202150634.5940	34.594" FJ PN RAIL TOP	1.573	34.594	MFL
582202150340.5940	40.594" FJ PN RAIL TOP	1.573	40.594	MFL
582202150728.3750	28.375" (GEN) FJ PN RAIL TOP	1.593	28.375	AFL
582202150728.5940	28.594" (GEN) FJ PN RAIL TOP	1.593	28.594	MFL
582202150730.3750	30.375" (GEN) FJ PN RAIL TOP	1.593	30.375	AFL
582202150730.5940	30.594" (GEN) FJ PN RAIL TOP	1.593	30.594	MFL
582202150732.3750	32.375" (GEN) FJ PN RAIL TOP	1.593	32.375	AFL
582202150732.5940	32.594" (GEN) FJ PN RAIL TOP	1.593	32.594	MFL
582202150733.0310	33.031" (GEN) FJ PN RAIL TOP	1.593	33.031	AFL
582202150734.3750	34.375" (GEN) FJ PN RAIL TOP	1.593	34.375	AFL
582202150734.5940	34.594" (GEN) FJ PN RAIL TOP	1.593	34.594	MFL
582202150740.5940	40.594" (GEN) FJ PN RAIL TOP	1.593	40.594	MFL

ORIGINAL PCR REVISION	SCALE	SHEET	DATE
9393	NTS	1 OF 1	JL
		SHEET SIZE	DATE
		B	6/30/2016

5/4 TOP RAIL
FIBERGLASS - PURCHASED



TOLERANCES UNLESS OTHERWISE NOTED ARE:
FRACTION ± 1/32"
DECIMAL ± .031"
ANGLE ± 1°

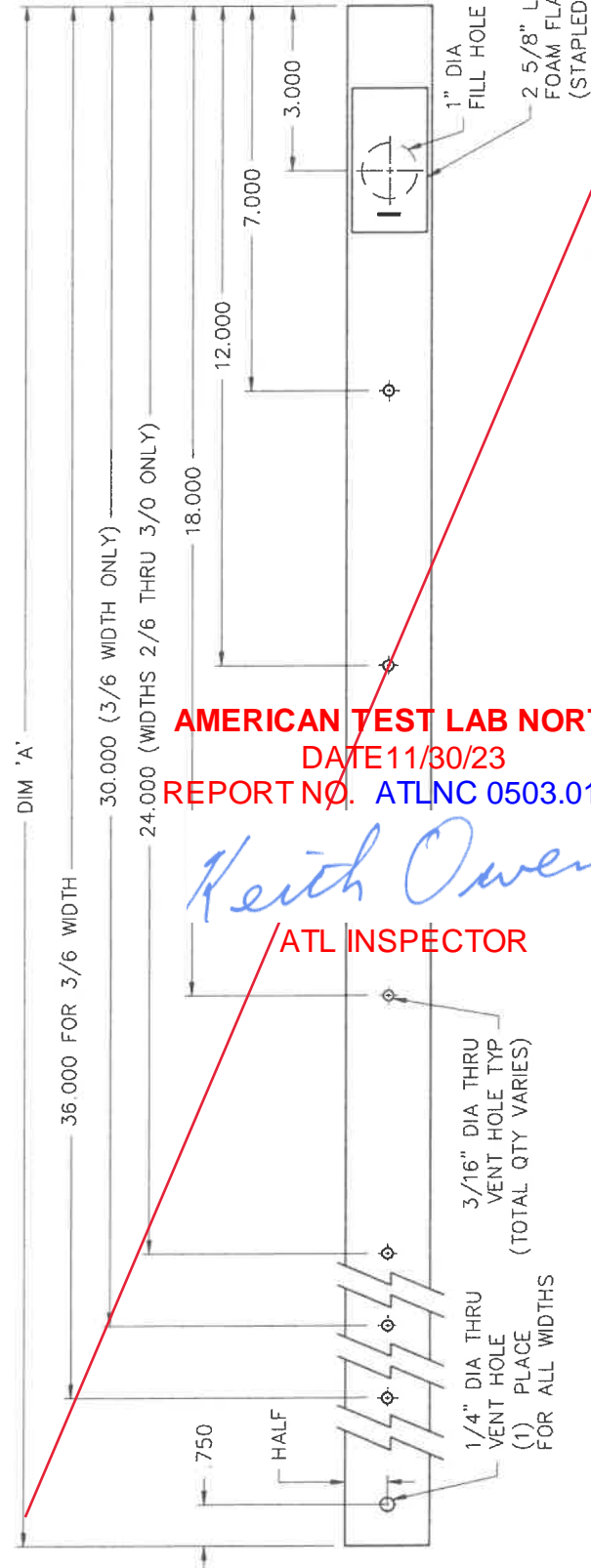
DRAWING DESIGN AND OTHER DISCLOSURES ARE THE PROPERTY OF MASONITE DOOR CORPORATION. UNAUTHORIZED USE, MANUFACTURE OR REPRODUCTION (IN WHOLE OR IN PART) IS PROHIBITED.

C2030367

Released

CONFIDENTIAL PROPERTY OF MASONITE. PRINTED DRAWING MAY NOT BE MOST RECENT VERSION

REV.	DESCRIPTION	DATE	INIT.	ECN#



AMERICAN TEST LAB NORTH
 DATE 11/30/23
 REPORT NO. ATLNC 0503.01-23

Keith Owen
 ATL INSPECTOR

PATIO SIZE WITH CENTERED IGU

WIDTH	PART #	DIM 'A'	IGU WIDTH
2/8	581902160329.2502370	29 1/4"	20.000
2/10	581902160331.2502370	31 1/4"	22.000
3/0	581902160333.2502370	33 1/4"	22.000

NEW CONSTRUCTION - STANDARD

WIDTH	PART #	DIM 'A'
2/0	581902160322.5942370	22 19/32"
2/6	581902160328.5942370	28 19/32"
2/8	581902160330.5942370	30 19/32"
2/10	581902160332.5942370	32 19/32"
3/0	581902160334.5942370	34 19/32"
3/6	581902160340.5942370	40 19/32"

- NOTES:
- MATERIAL IS TO BE COMPOSITE.
 - PARTS ARE TO BE UNPRIMED.
 - MAKE FROM PURCHASED COMPONENTS:
 - FOR NEW CONSTRUCTION--STANDARD, REFER TO DRAWING #RW09-00071.
 - FOR PATIO SIZE WITH CENTERED IGU, USE NEW CONSTRUCTION--STANDARD VISTAGRANDE BOTTOM RAILS.

TITLE: VISTAGRANDE/ WINSLOW FLUSH GLAZED
 BOTTOM RAIL (COMPOSITE) MANUFACTURED

TOLERANCES UNLESS OTHERWISE NOTED ARE:
 FRACTION ± 1/32"
 DECIMAL ± .031"
 ANGLE ± 1°

ORIGINAL ECN NO.

SPEC: PREM/MASONITE

SCALE LBH 5/25/16

DRAWN SHEET 2 OF 3

DRAWING NUMBER C2030330

MASONITE.

DRAWING DESIGN AND OTHER DISCLOSURES ARE THE PROPERTY OF MASONITE DOOR CORPORATION. UNAUTHORIZED USE, MANUFACTURE OR REPRODUCTION, IN WHOLE OR IN PART, IS PROHIBITED.

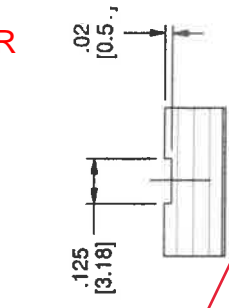
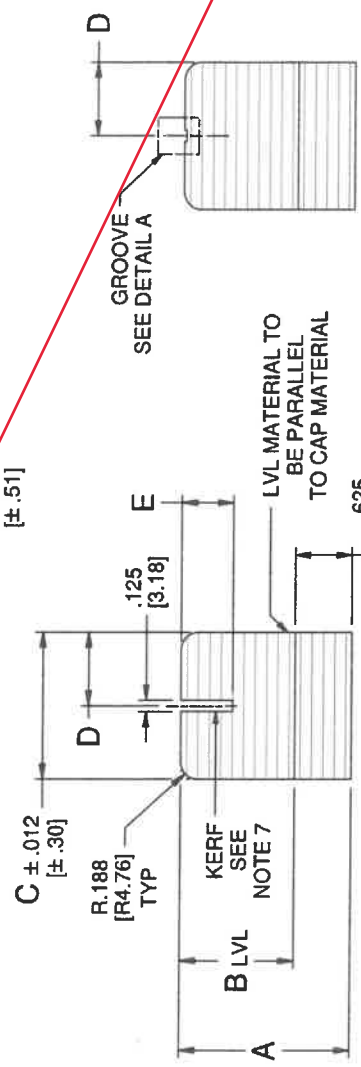
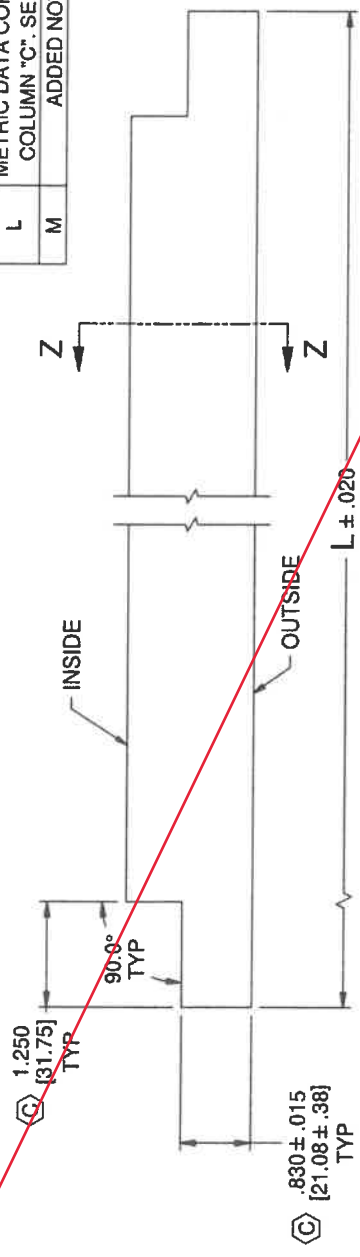
Released

REVISION HISTORY

REV	DESCRIPTION	PCR	DRAWN BY	DATE	APPROVED
K	(5) PART NUMBERS ADDED. SEE SHEET 2.	718	LBH	9/30/20	AAV
L	METRIC DATA CORRECTED IN COLUMN "C". SEE SHEET 2.	718	LBH	10/26/20	AAV
M	ADDED NOTE 11	940	DB	05/19/2022	AAV

AMERICAN TEST LAB NORTH
 DATE 11/30/23
 REPORT NO. ATLNC 0503.01-23

Keith Owen
 ATL INSPECTOR



DETAIL A

SECTION Z-Z WITHOUT KERF GROOVE ONLY

SECTION Z-Z WITH KERF

- NOTE:**
- SEE SPECIFICATION 306391 FOR WOOD INSPECTION STANDARDS
 - ACCEPTABLE MATERIAL IS: LVL WITH GRADE "A" LVL
 - ACCEPTABLE CONSTRUCTION CAN BE: LAP JOINT LVL OR FINGERJOINT LVL CONSTRUCTION
 - OUTSIDE GRADE "A" LVL TO BE 5/8" THICK
 - GRADE A LVL TO MEET "GRADED SURFACE X-EXTERIOR" SPECIFICATION FROM EMS 306391
 - PARTS ARE UNPAINTED AND WITHOUT PRESERVATIVE FINISH
 - KERF- SEE TABLE 1 IF APPLICABLE
 - SYMBOL (C) INDICATES CRITICAL DIMENSION
 - DIMENSIONS IN BRACKETS [XX] INDICATE METRIC DIMENSIONS
 - MILL OPTION TO USE ONE LAYER OF RADIATA PINE VENEER ON FRONT AND BACK.
 - ONE END OF THE THICK COMPONENTS (1.598" THICK) TO BE IDENTIFIED WITH YELLOW COLOR

CONFIDENTIAL PROPERTY OF MASONITE PRINTED DRAWING MAY NOT BE MOST RECENT VERSION

TITLE		MFL WOOD STILES FOR FIBERGLASS - PURCHASED	
ORIGINAL FOR REVISION	SCALE	SHEET	DRAWN BY
9389	NTS	1 OF 2	JL
TOLERANCES UNLESS OTHERWISE NOTED ARE:		SHEET SIZE	DATE
FRACTION ± 1/32"		B	7/26/2016
DECIMAL ± .031"		DRAWING	
ANGLE ± 1°		C2030387	
DRAWING THE PROPERTY OF MASONITE DOOR CORPORATION. UNAUTHORIZED USE, MANUFACTURE OR REPRODUCTION (IN WHOLE OR IN PART) IS PROHIBITED.			



Released

MFL STILES

PART NUMBER	DESCRIPTION	L	A	B (REF)	KERF	E	C	D
589601020377.3751181	77.375 Single Ply with LVL Stiles Bink Hng FJ Pine Edge Band	77.375 [1965.33]	1.500 [38.10]	0.875 [22.23]	NO	N/A	1.578 [40.08]	0.789 [20.04]
589601020777.3751181	77.375" (Gen) Single Ply with LVL Stiles Bink Hng FJ Pine Edge Band	77.375 [1965.33]	1.500 [38.10]	0.875 [22.23]	NO	N/A	1.598 [40.59]	0.799 [20.29]
589601060377.3751181	77.375 Single Ply with LVL Stiles Bink Strk FJ Pine Edge Band	77.375 [1965.33]	1.875 [47.63]	1.250 [31.75]	NO	N/A	1.578 [40.08]	0.789 [20.04]
589601060777.3751181	77.375" (Gen) Single Ply with LVL Stiles Bink Strk FJ Pine Edge Band	77.375 [1965.33]	1.875 [47.63]	1.250 [31.75]	NO	N/A	1.598 [40.59]	0.799 [20.29]
589601060377.3752366	77.375 Single Ply with LVL Stiles Bink Strk FJ Pine Edge Band With Foam Kerf	77.375 [1965.33]	1.875 [47.63]	1.250 [31.75]	YES	0.563	1.550 [39.37]	0.775 [19.69]
* 582201010679.562622	79.562 FJ Pn Stiles Bink OAKCRAFT SIDELITE	79.562 [2020.87]	1.220 [30.99]	0.595 [15.11]	NO	N/A	1.578 [40.08]	0.789 [20.04]
* 582201010779.562622	79.562" (Gen) FJ Pn Stiles Bink OAKCRAFT SIDELITE	79.562 [2020.87]	1.220 [30.99]	0.595 [15.11]	NO	N/A	1.598 [40.59]	0.799 [20.29]
* 582201010679.5622368	79.562 FJ Stiles Bink OAKCRAFT SIDELITE with Foam Kerf	79.562 [2020.87]	1.220 [30.99]	0.595 [15.11]	YES	0.375	1.550 [39.37]	0.755 [19.18]
589601020379.5621181	79.562 Single Ply with LVL Stiles Bink Hng FJ Pine Edge Band	79.562 [2020.87]	1.500 [38.10]	0.875 [22.23]	NO	N/A	1.578 [40.08]	0.789 [20.04]
589601020779.5621181	79.562" (Gen) Single Ply with LVL Stiles Bink Hng FJ Pine Edge Band	79.562 [2020.87]	1.500 [38.10]	0.875 [22.23]	NO	N/A	1.598 [40.59]	0.799 [20.29]
589601060379.5621181	79.562 Single Ply with LVL Stiles Bink Strk FJ Pine Edge Band	79.562 [2020.87]	1.875 [47.63]	1.250 [31.75]	NO	N/A	1.578 [40.08]	0.789 [20.04]
589601060779.5621181	79.562" (Gen) Single Ply with LVL Stiles Bink Strk FJ Pine Edge Band	79.562 [2020.87]	1.875 [47.63]	1.250 [31.75]	NO	N/A	1.598 [40.59]	0.799 [20.29]
589601060379.5622366	79.562 Single Ply with LVL Stiles Bink Strk FJ Pine Edge Band With Foam Kerf	79.562 [2020.87]	1.875 [47.63]	1.250 [31.75]	YES	0.563	1.550 [39.37]	0.775 [19.69]
589601010383.5621181	83.562 Single Ply with LVL Stiles Bink FJ Pine Edge Band	83.562 [2122.47]	1.875 [47.63]	1.250 [31.75]	NO	N/A	1.578 [40.08]	0.789 [20.04]
589601010693.375619	93.375 FJ Pine Stile Bink Hng End-dado	93.375 [2371.73]	1.440 [36.58]	0.815 [20.70]	NO	N/A	1.578 [40.08]	0.789 [20.04]
589601010393.3752366	93.375 Single Ply with LVL Stiles Bink FJ Pine Edge Band With Foam Kerf	93.375 [2371.73]	1.875 [47.63]	1.250 [31.75]	YES	0.563	1.550 [39.37]	0.775 [19.69]
* 582201010695.5622368	95.562 FJ Stiles Bink OAKCRAFT SIDELITE with Foam Kerf	95.562 [2427.27]	1.220 [30.99]	0.595 [15.11]	YES	0.375	1.550 [39.37]	0.775 [19.69]
582201010695.562622	95.562 FJ Stile Bink OAKCRAFT SIDELITE	95.562 [2427.27]	1.220 [30.99]	0.595 [15.11]	NO	N/A	1.578 [40.08]	0.789 [20.04]
589601010395.5622366	95.562 Single Ply with LVL Stiles Bink FJ Pine Edge Band With Foam Kerf	95.562 [2427.27]	1.875 [47.63]	1.250 [31.75]	YES	0.563	1.550 [39.37]	0.775 [19.69]
589601010395.5621181	95.562 Single Ply with LVL Stiles Bink FJ Pine Edge Band	95.562 [2427.27]	1.875 [47.63]	1.250 [31.75]	NO	N/A	1.578 [40.08]	0.789 [20.04]
589601010396.5001181	96.500 Single Ply with LVL Stiles Bink Strk FJ Pine Edge Band	96.500 [2451.10]	1.875 [47.63]	1.250 [31.75]	NO	N/A	1.578 [40.08]	0.789 [20.04]

* SIDELITE STILES CAN BE FINGER JOINTED PINE CONSTRUCTION.

AMERICAN TEST LAB NORTH
DATE 11/30/23
REPORT NO. ATLNC 0503.01-23

Keith Owen

ATL INSPECTOR

TITLE		MFL WOOD STILES FOR FIBERGLASS - PURCHASED		ORIGINAL PCB REVISION	M
SCALE		9389		SHEET	2 OF 2
TOLERANCES UNLESS OTHERWISE NOTED ARE:		FRACTION ± 1/32"		DATE	7/26/2016
DRAWING DESIGN AND OTHER DISCLOSURES ARE THE PROPERTY OF MASONITE DOOR CORPORATION. UNAUTHORIZED USE, MANUFACTURE OR REPRODUCTION (IN WHOLE OR IN PART) IS PROHIBITED.		DECIMAL ± .031"		DATE	7/26/2016
MASONITE		ANGLE ± 1°		DATE	7/26/2016
DRAWING		DRAWING		DATE	7/26/2016
C2030387		C2030387		DATE	7/26/2016

CONFIDENTIAL PROPERTY OF MASONITE PRINTED DRAWING MAY NOT BE MOST RECENT VERSION

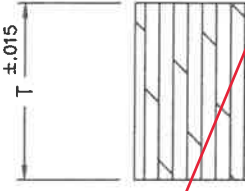
REV.	DESCRIPTION	DATE	INIT.	ECN #
J	REVISED LENGTH & PART NUMBER	10/3/14	AAV	9049
K	ADDED 12" PART NUMBER	3/9/15	AAV	9071
L	2 PART NUMBERS ADDED	9/30/20	AAV	718
M	ADDED NOTE 3	5/19/22	AAV	940

AMERICAN TEST LAB NORTH
 DATE 11/30/23
 REPORT NO. ATLNC 0503.01-23

Keith Owen
ATL INSPECTOR

PART #	DIM 'L'	DIM 'T'
580003200321.0002367	21"	1.545"
580003200312.0002367	12"	1.545"
580003200712.0002367	21"	1.565"
580003200721.0002367	12"	1.565"

L" ±1/8"
 [± 3.175mm]



- NOTE:
- 1.) SEE EMS 306393 FOR INSPECTION STANDARDS.
 - 2.) SEE EMS 306393 FOR MATERIAL STANDARDS. USE OF PARTICLEBOARD IS NOT ALLOWED.
 - 3.) ONE END OF THE THICK COMPONENTS (1.565" THICK) TO BE IDENTIFIED WITH YELLOW COLOR.

TITLE: 1" NARROW LOCK BLOCK
 PURCHASED



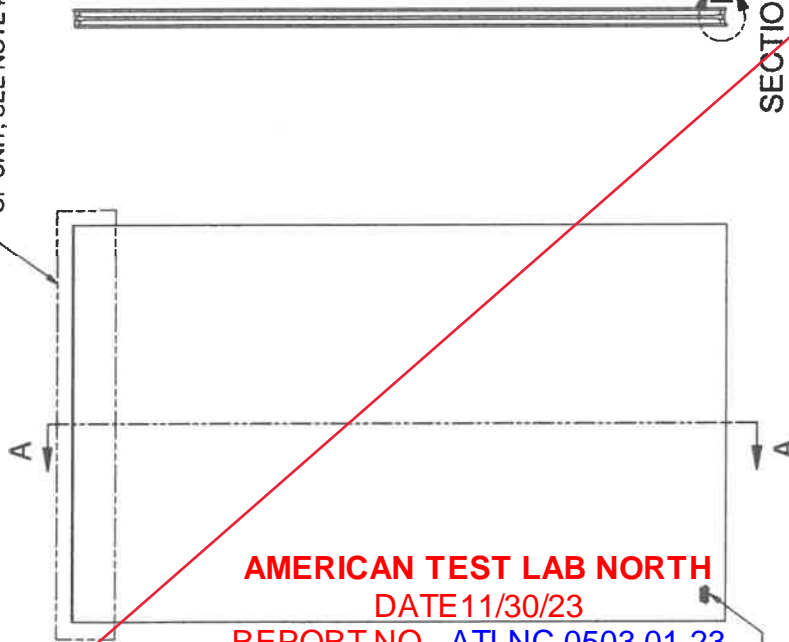
SPEC: MASONITE	
ORIGINAL ECN NO. ---	DRAWN: ELE 09/29/98
TOLERANCES UNLESS OTHERWISE NOTED ARE: FRACTION ±1/32" DECIMAL ±.031" ANGLE ±1°	SCALE: FULL
DRAWING DESIGN AND OTHER DISCLOSURES ARE THE PROPERTY OF MASONITE DOOR CORPORATION. UNAUTHORIZED USE, MANUFACTURE OR REPRODUCTION, IN WHOLE OR IN PART, IS PROHIBITED.	
DRAWING NUMBER: RW10-00008	

Released

REVISION HISTORY

REV	DESCRIPTION	PCR	DRAWN BY	DATE	APPROVED
E	EDITED LEADER TEXT ON SHEET 2	1201	DB	10/26/2022	AAV

CLOSURE TO BE AT TOP OF UNIT, SEE NOTE #6



AMERICAN TEST LAB NORTH
DATE 11/30/23
REPORT NO. ATLNC 0503.01-23

Keith Owen

ATL INSPECTOR

SEE NOTE #9

SECTION A-A

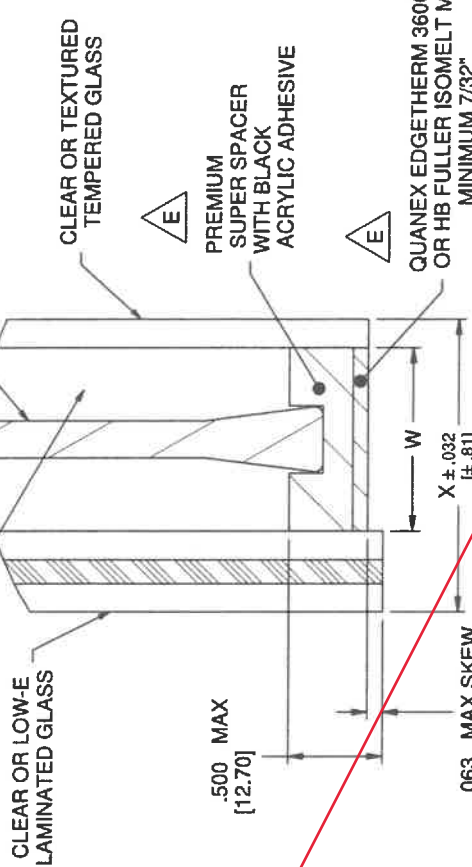
NOTE:

1. PREMIUM CUSHION EDGE SPACER SHOWN, PREMIUM SUPER SPACER SIMILAR REFER TO DRAWING C2030627 FOR SPACER DETAILS.
2. SECONDARY SEAL MUST NOT EXTEND BEYOND EDGE OF GLASS.
3. RECTANGULAR LITE SHOWN. DETAIL "B" IS TYPICAL OF ALL SHAPES AND SIDES.
4. FOR IGU MANUFACTURING, INSPECTION & QUALITY REQUIREMENTS, REFER TO QUANEX SUPER SPACER INSULATING GLASS MANUFACTURING MANUAL.
5. CLOSURE MUST BE TIGHT WITH NO GAPS OR VOIDS IN SEALANT.
6. CLOSURE TO BE LOCATED AT TOP OF THE SEALED UNIT, UNLESS OTHERWISE SPECIFIED.
7. SEE SBP-EMS-0001 FOR FLAT GLASS SPECIFICATIONS.
8. SEE SBP-EMS-0006 FOR FLAT GLASS QUALITY SPECIFICATIONS.
9. TEMPER LOGOS ON BOTH PANES TO ALIGN IN SAME CORNER.
10. ALL TEMPERED GLASS MUST COMPLY WITH THE CODES AND STANDARDS LISTED IN SPEC. #SBP-EMS-0001, SECTION 3.0.
11. ALL TEMPERED GLASS TO BE MARKED WITH LOGO PER SPEC. # SBP-EMS-0001, SECTION 4.0.
12. IGU UNITS TO BE 3RD PARTY CERTIFIED TO ASTM E 2190 "STANDARD SPECIFICATION FOR INSULATING GLASS UNIT FOR PERFORMANCE AND EVALUATION" AND BE MARKED PER THEIR INSPECTION AGENCY REQUIREMENTS.
13. IGL CERTIFICATION LOGO TO BE SAME CORNER OF IGU AS TEMPERED GLASS LOGO.
14. FOR CONSTRUCTION DETAILS, ACCEPTABLE MATERIALS, QUALITY STANDARDS, AND PERFORMANCE REQUIREMENTS OF LAMINATED SAFETY GLASS FOR LAMINATED IGU, REFER TO MASONITE EMS # SBP-EMS-0008.
15. DIMENSIONS IN BRACKETS [XX] INDICATE METRIC mm DIMENSIONS
16. IGU EDGE SHOULD BE FREE FROM EMBEDDED PIECES OF GLASS/CARDBOARD/CORK PADS ETC.

TITLE SUPER SPACER INSULATED GLASS UNIT ASSEMBLY		ORIGINAL P.C.R. REVISION	E
TOLERANCES UNLESS OTHERWISE NOTED ARE:		SCALE	9576
DRAWING DESIGN AND OTHER DISCLOSURES ARE THE PROPERTY OF MASONITE DOOR CORPORATION UNAUTHORIZED USE, MANUFACTURE OR REPRODUCTION (IN WHOLE OR IN PART) IS PROHIBITED.		SHEET	1 OF 2
MASONITE		SHEET SIZE	B
		DATE	5/2/2017
		DRAWING	A1020319

CONFIDENTIAL PROPERTY OF MASONITE PRINTED DRAWING MAY NOT BE MOST RECENT VERSION

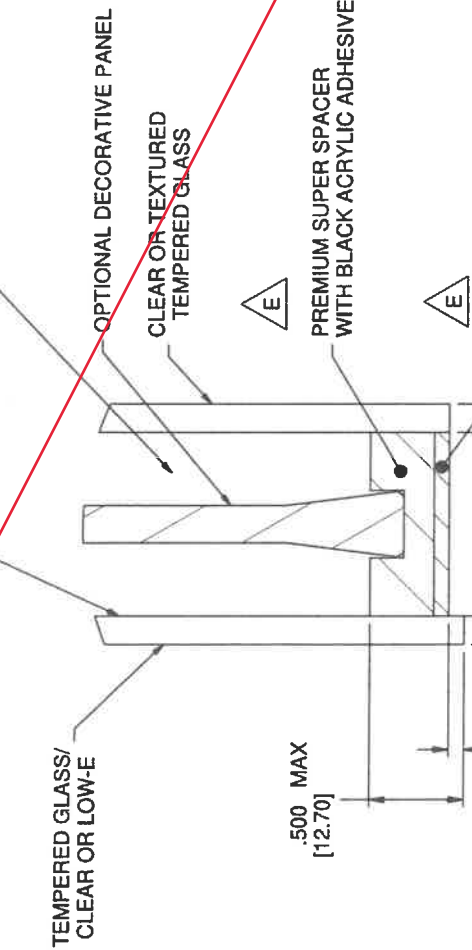
LOW-E COATING SURFACE (LOW-E OR LOW-E ARGON IGU)
 AIR (CLEAR OR LOW-E IGU)
 OR ARGON FILLED (LOW-E ARGON IGU)
 (MINIMUM 90% INITIAL FILL REQUIRED)



LAMINATED IGU

DETAIL B

TABLE 2	
X	W
1.000	0.545



STANDARD IGU

DETAIL B

TABLE 1	
X	W
1.000	0.750
0.750	0.500
0.500	0.250

AMERICAN TEST LAB NORTH
 DATE 11/30/23
 REPORT NO. ATLNC 0503.01-23

Keith Owen

ATL INSPECTOR

TITLE SUPER SPACER INSULATED GLASS UNIT ASSEMBLY		ORIGINAL PER REVISION	E
TOLERANCES UNLESS OTHERWISE NOTED ARE: FRACTION ± 1/32" DECIMAL ± .031" ANGLE ± 1°		SCALE	SHEET
DRAWING DESIGN AND OTHER DISCLOSURES ARE THE PROPERTY OF MASONITE DOOR CORPORATION. UNAUTHORIZED USE, MANUFACTURE OR REPRODUCTION (IN WHOLE OR IN PART) IS PROHIBITED.		NTS	2 OF 2
MASONITE		SHEET SIZE	DATE
		B	5/2/2017
		DRAWING	A1020319